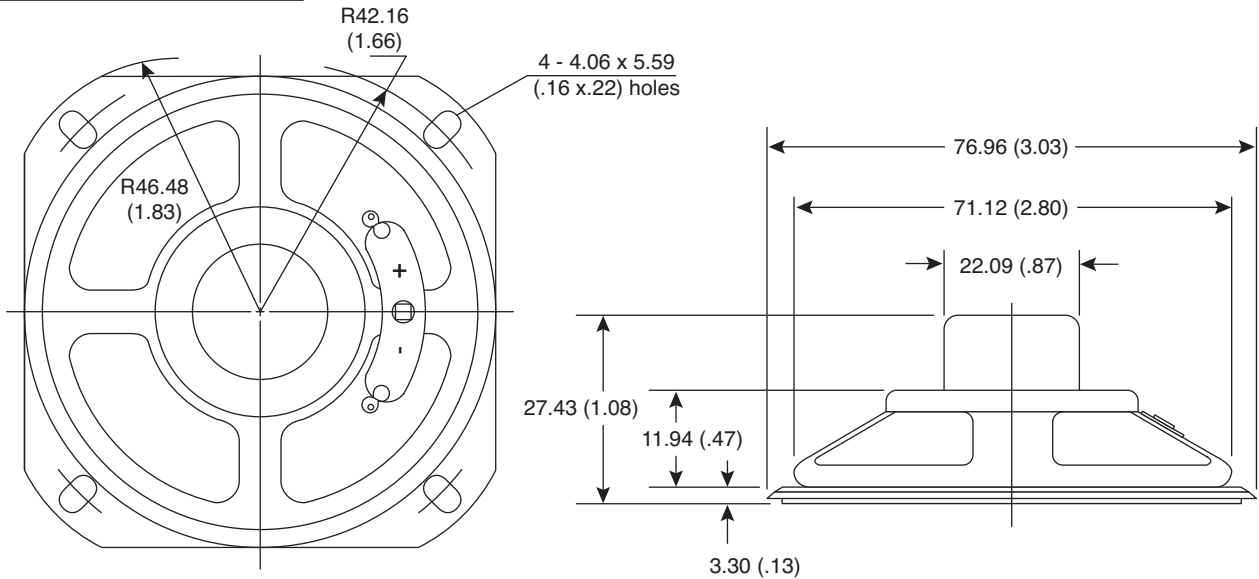
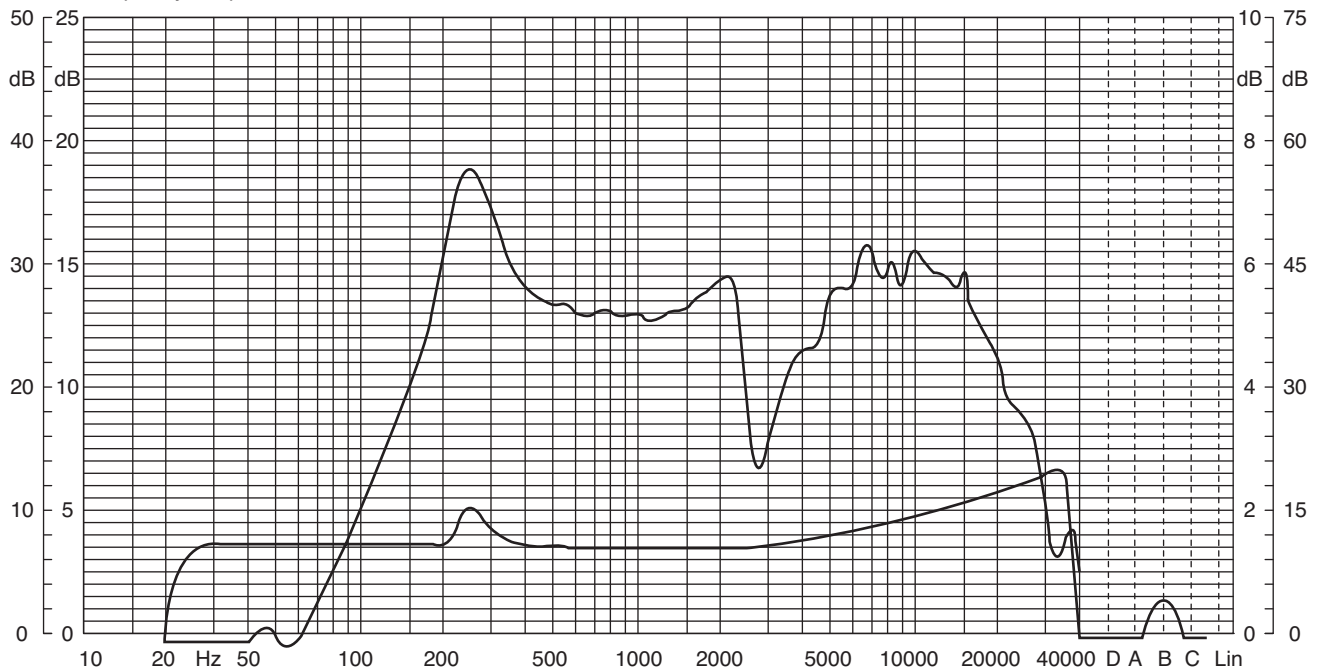


Part Number:

253-2130-RO



Frequency Response



Speaker

**Electrical Specifications:**

- Impedance:  $8\Omega \pm 15\%$
- Resonant frequency: 220
- Frequency range: 220Hz~10KHz
- Rated power: 0.8W

**Note:**

- RoHS Compliant

KT-400518