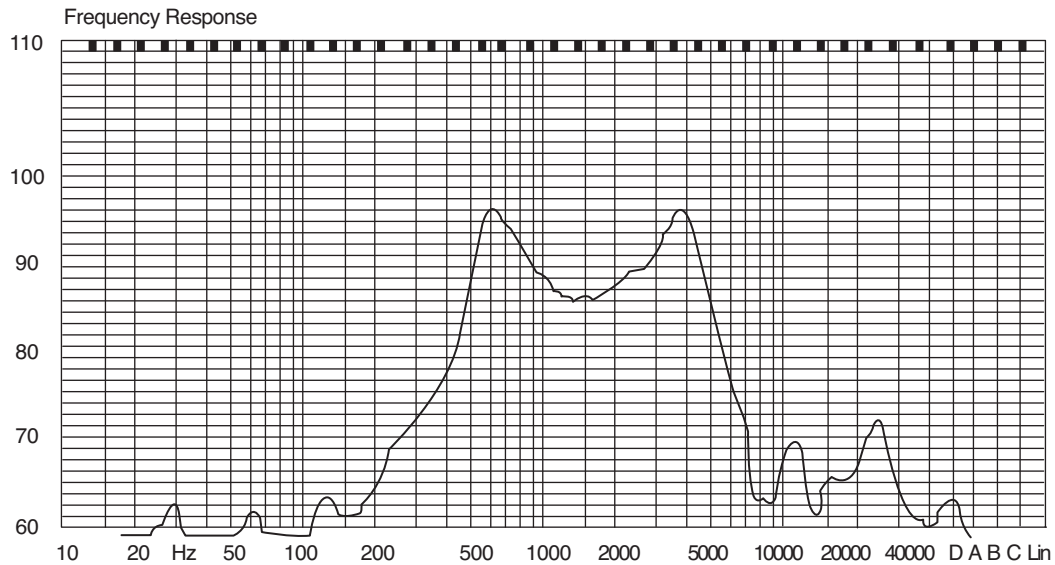
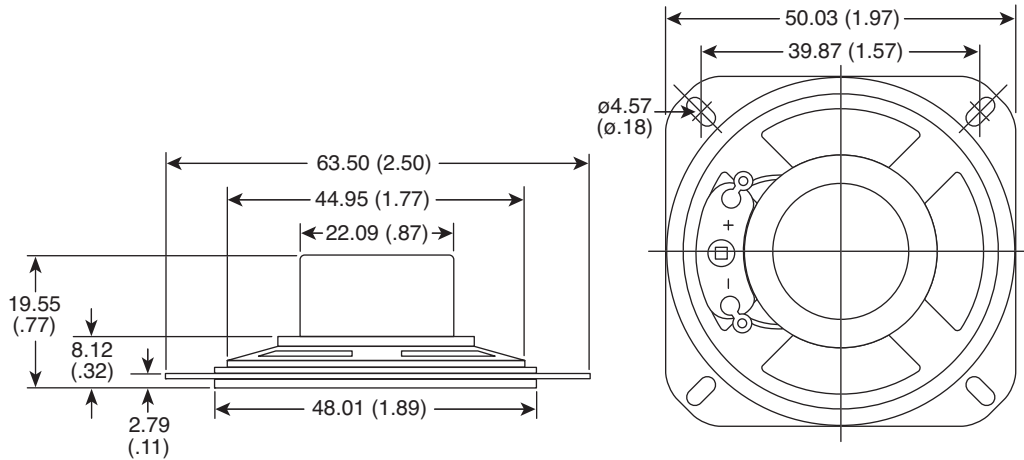


**Part Number:**

253-2120-RO



**Speaker**

KT-400517

**Electrical Specifications:**

- Frequency Range: 500Hz~4.5KHz
- Sensitivity: 84±2dB/W
- Resonance Frequency: 500±100Hz
- Impedance: 8Ω±15% @ 1V, 1KHz
- Input: 0.2W

**Materials:**

- Magnet Weight: .35oz
- Weight: 1.48oz

**Note:**

- RoHS Compliant