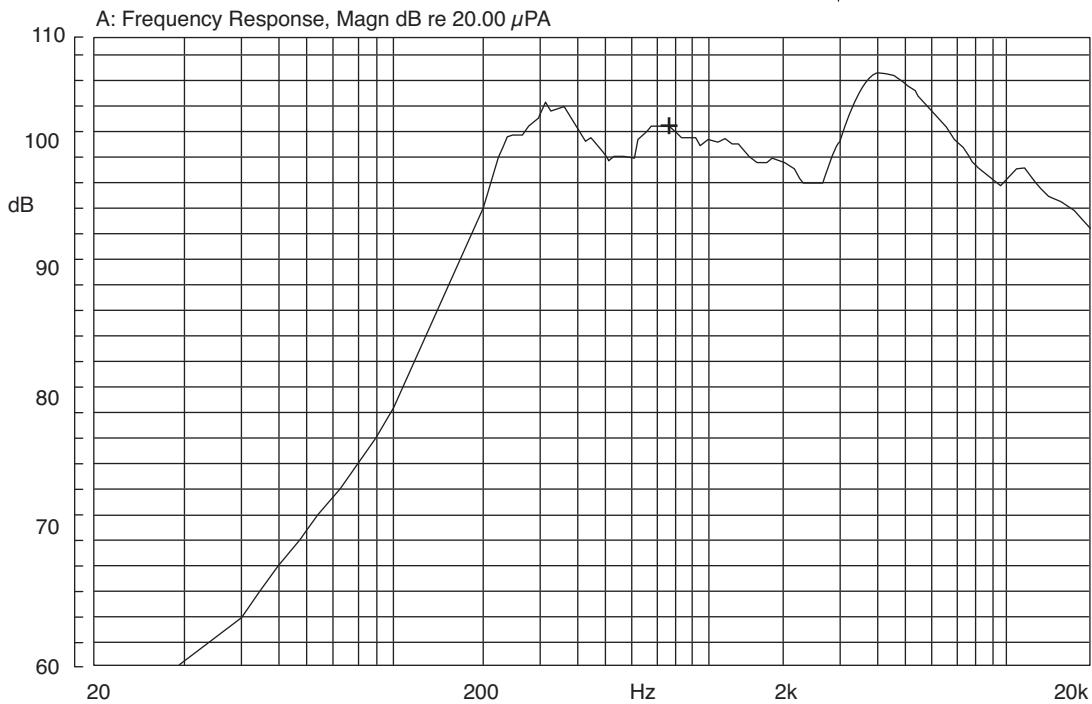
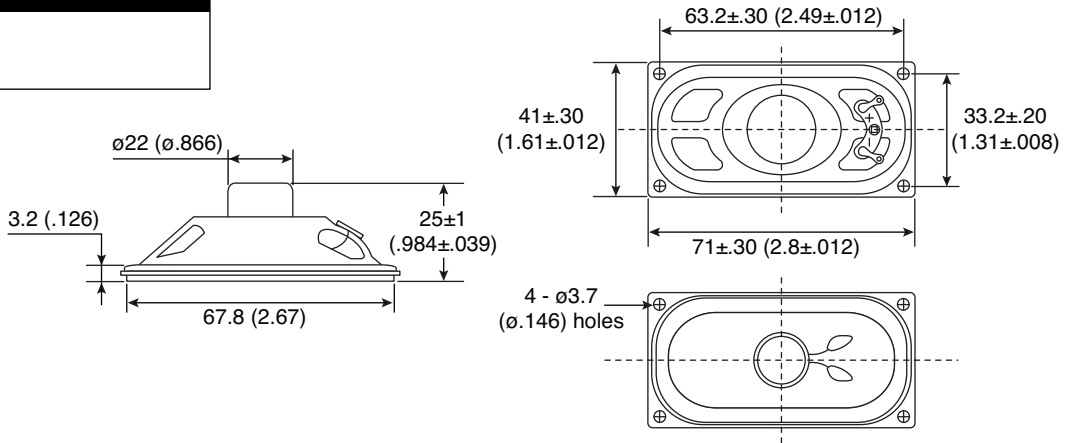


Part Number:

254-DS718-RO



Dynamic Speaker

KT-400442

Electrical Specifications:

- Rated Input Power: 4 W
- Impedance: $8\Omega \pm 15\%$ at 1K Hz
- Resonant Frequency (F_0): $380\text{Hz} \pm 20\%$ at F_0 , 1V
- Sensitivity (SPL): $81\text{dB(W/m)} \pm 3\text{dB}$
 $100\text{dB(1W/0.1m)} \pm 3\text{dB}$
- Frequency Range: $F_0 - 20\text{K Hz}$

Material:

- Magnet: Nd-Fe-B

Note:

- RoHS Compliant