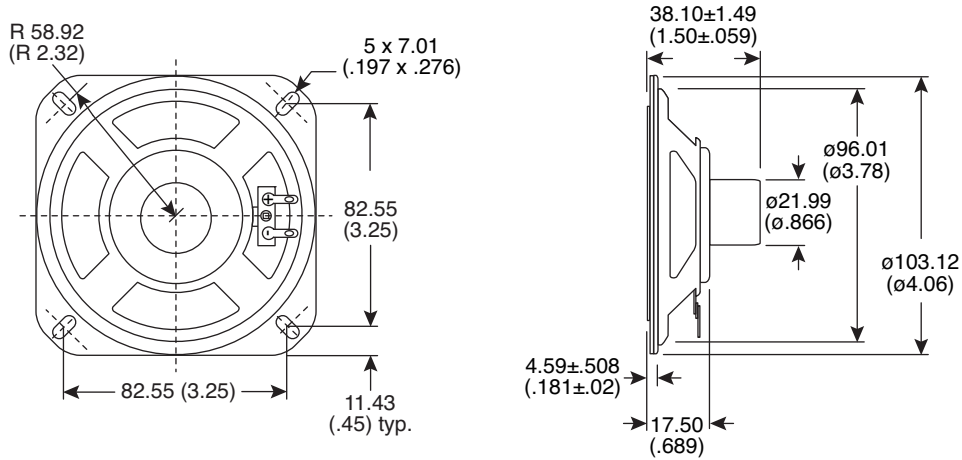
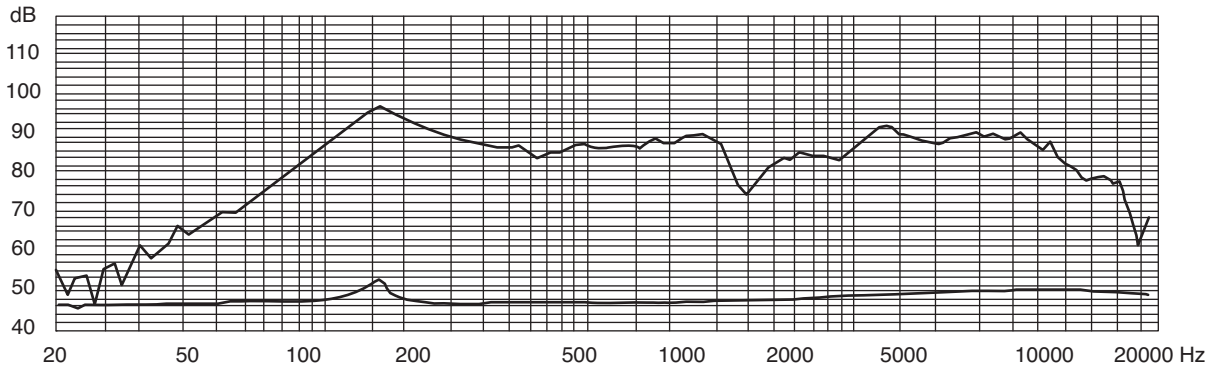


Part Number:

253-2041-RO



Test Conditions: 20C, 65% R.H. Standard Response Zero Level: 40dB



Speaker

KT-400514

**Electrical Specifications:**

- Power Rating: 2W nom. 4W peak
- Voice Coil Impedance: 8±1.2Ω
- Resonance Frequency: 160±32Hz
- S.P.L.: 86dB/W±2dB
- Response: FO-12KHz dev. 20dB max.
- Distortion: 5% max.
- Voice Coil: ø.56"

**Materials:**

- Magnet: Alnico 14 x 15mm, .6oz
- Total Weight: 3.1oz

**Note:**

- RoHS Compliant

**Mechanical Specifications:**

- Polarity: With positive voltage applied to (+) terminal, the cone shall move away from the pole piece.