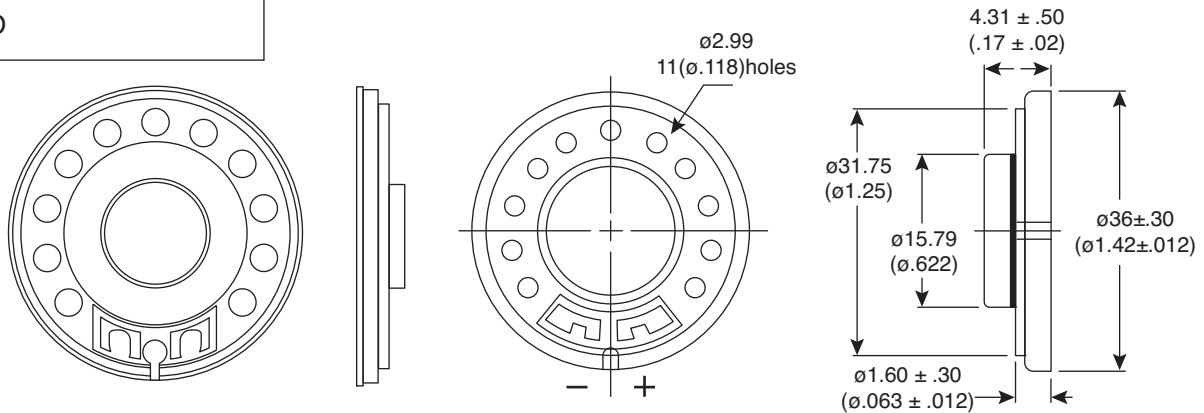
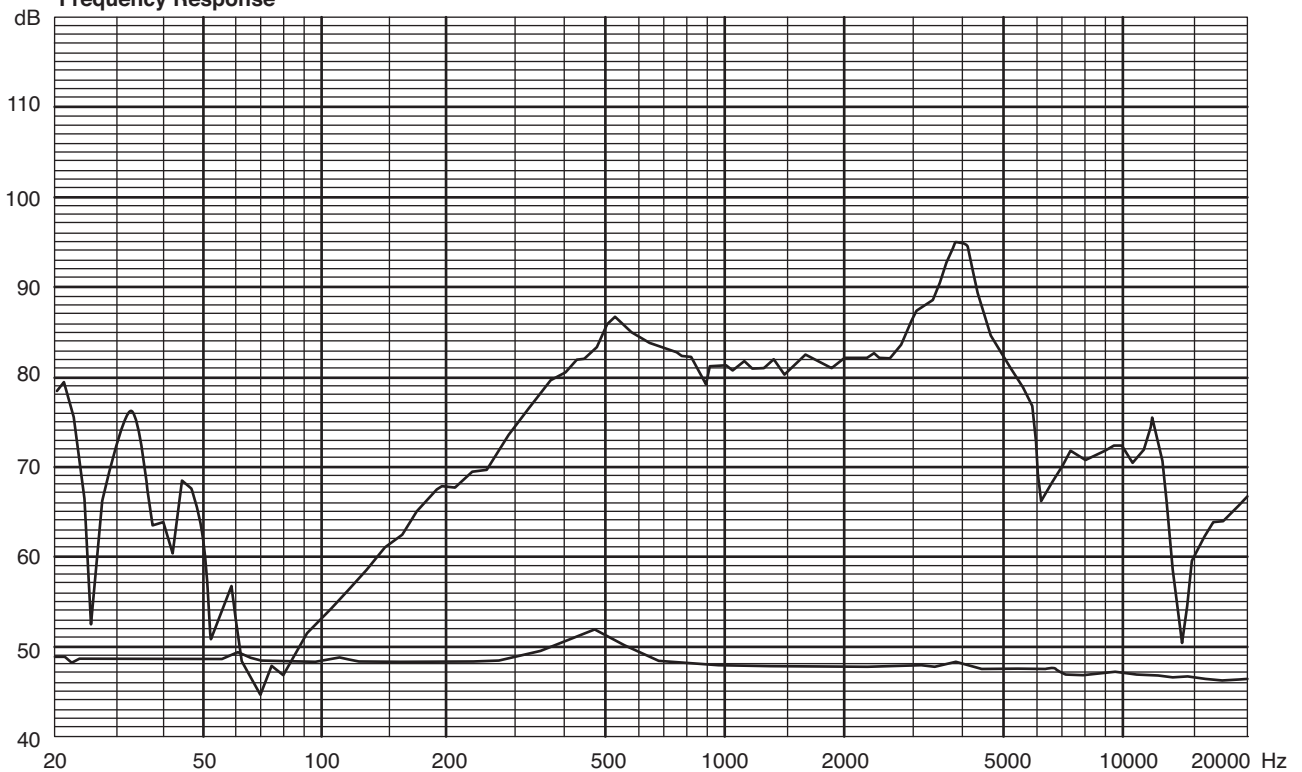


Part Number:

253-5014-RO



Frequency Response



KT-400489

**Electrical Specifications:**

- Power Rating: nominal power rating 0.2W, peak music power 0.3W
- Voice coil imp:  $8\Omega \pm 1.2\Omega$  @ 1000Hz 1V
- Resonance freq.: 450Hz  $\pm 90$ Hz @ Fo Hz 1V
- S.P.L.: 82dB/W  $\pm 3$ dB 1W 39.4 inches 100 cm average of 0.8, 1.0, 1.2, 1.5 KHz
- Response: Fo ~ 6K Hz, dev. 20dB max. 1W 39.4 Inches 100 cm
- Distortion: 5% max. 1000Hz 0.2W 39.4 inches 100 cm
- Voice coil: dia. 0.53 inches 13.5 mm

**Mechanical Specifications:**

- Polarity: With positive voltage applied to.
- (+) Terminal, the cone shall move away from pole piece.

**Materials:**

- Magnet: Nd size 12.5 x 1.5(mm)
- Total weight: 0.05 oz (1.40g)

**Note:**

- RoHS Compliant