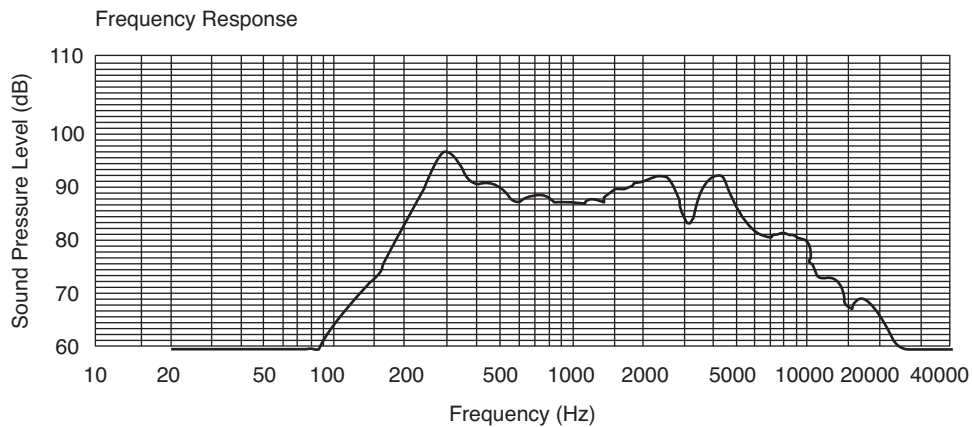
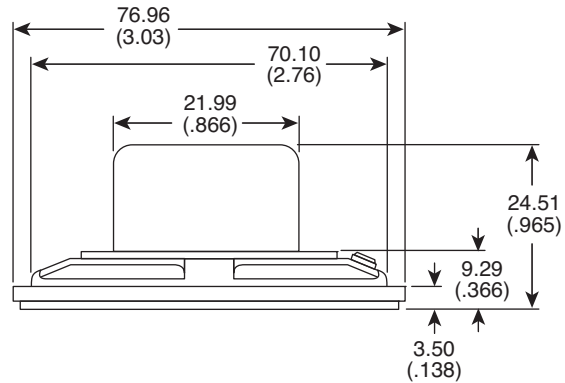
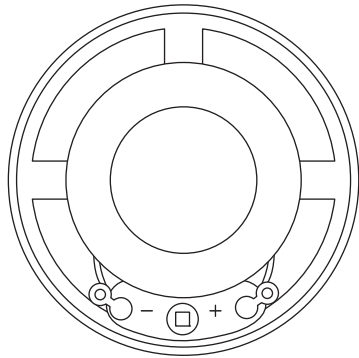


Part Number:

253-2030-RO



Speaker

**Electrical Specifications:**

- Impedance:  $8\Omega \pm 1.2\Omega$
- Resonant frequency:  $280\text{Hz} \pm 54\text{Hz}$
- Frequency range:  $280\text{Hz} \sim 5\text{KHz}$
- Rated power: 0.5W

**Material:**

- Magnet: Alnico

**Note:**

- RoHS Compliant

KT-400507