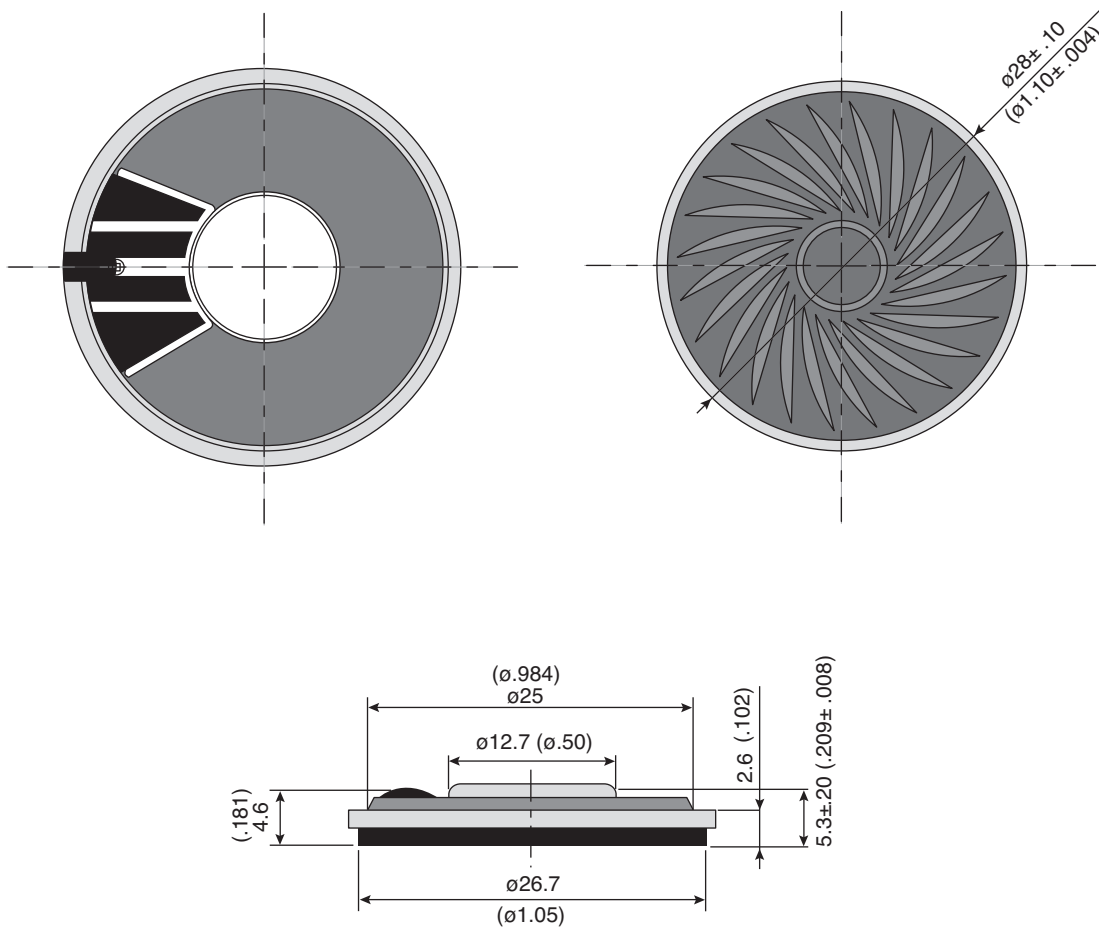


Part Number:

254-DS288-RO

Dynamic Speaker



KT-400344

**Electrical Specifications:**

- Rated Input Power: 0.5 W
- Max. Input Power: Must be normal at 1.0W white noise for 1 minute.
- Impedance:  $8\Omega \pm 15\%$  at 2KHz
- Resonant Frequency (Fo):  $500\text{Hz} \pm 20\%$  at Fo, 1V
- Frequency Range: Fo – 20KHz

**Material:**

- Magnet: NdFeB

**Mechanical Specifications:**

- Operating temperature:  $-20^{\circ}\text{C}$  to  $+60^{\circ}\text{C}$
- Storage temperature:  $-30^{\circ}\text{C}$  to  $+70^{\circ}\text{C}$

**Note:**

- RoHS Compliant