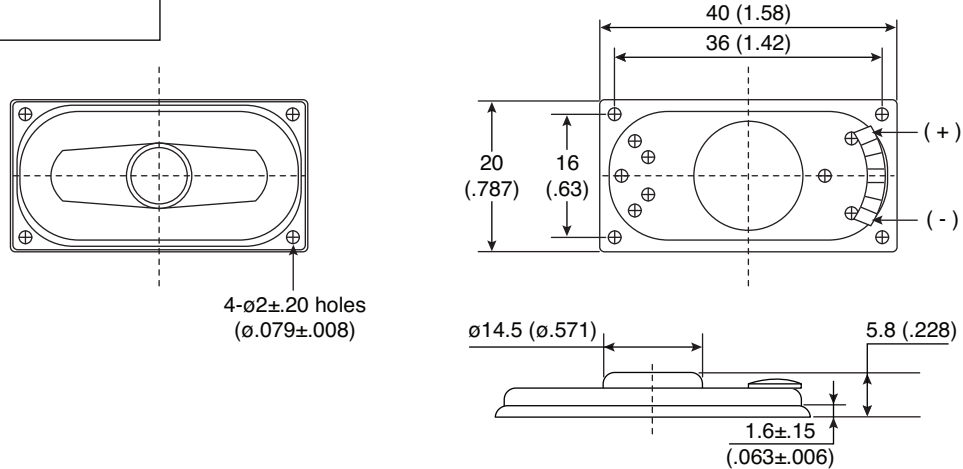
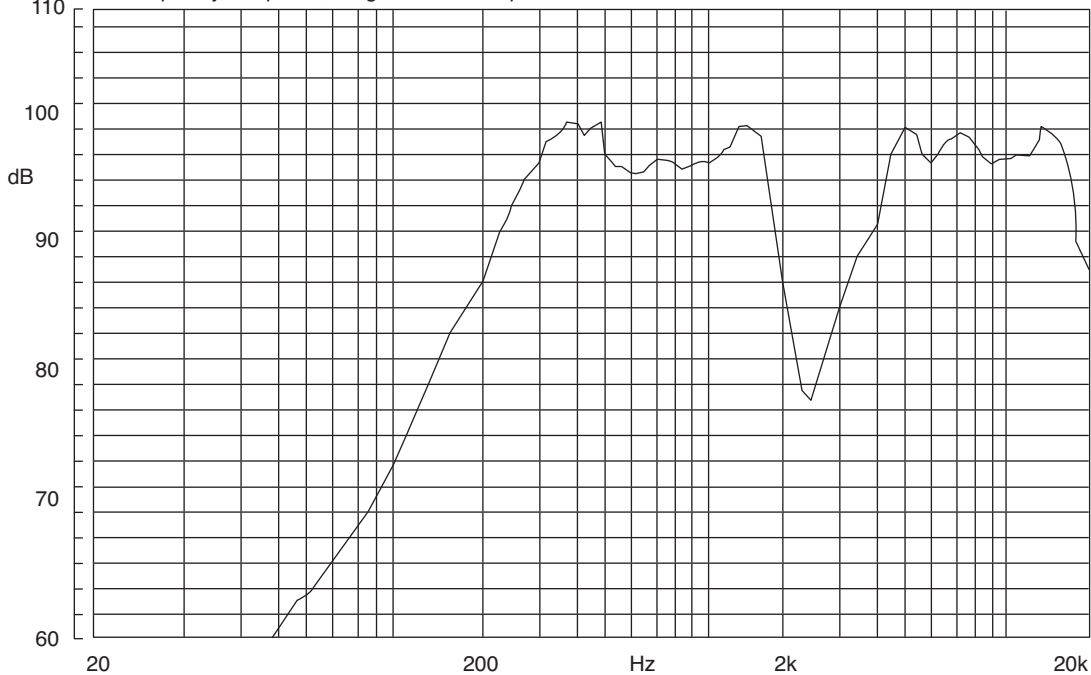


Part Number:

254-DS4020-RO



A: Frequency Response, Magn dB re 20.00 μ PA



Dynamic Speaker

KT-400440

Electrical Specifications:

- Rated Input Power: 2.0 W
- Impedance: $8\Omega \pm 15\%$ at 1000Hz
- Resonant Frequency (F_0): $400\text{Hz} \pm 20\%$ at F_0 , 1V
- Sensitivity (SPL): $72\text{dB(W/m)} \pm 3\text{dB}$
 $95\text{dB}(2.0\text{W}/0.1\text{m}) \pm 3\text{dB}$
- Frequency Range: $F_0 - 2.2\text{K Hz}$

Mechanical Specifications:

- Operating Temperature: $-20^\circ\text{C} \sim +60^\circ\text{C}$
- Storage Temperature: $-30^\circ\text{C} \sim +70^\circ\text{C}$

Note:

- RoHS Compliant

Material:

- Magnet: Nd-Fe-B