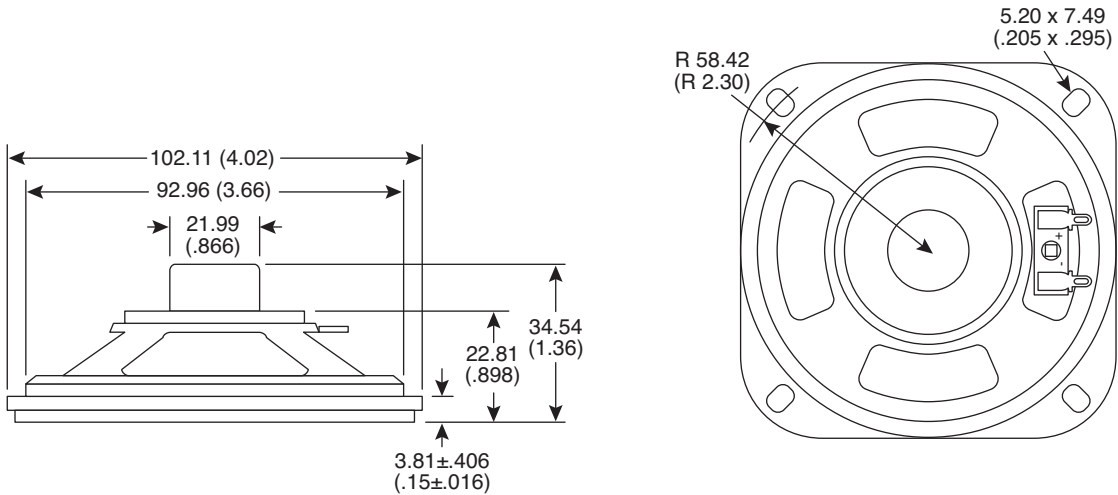
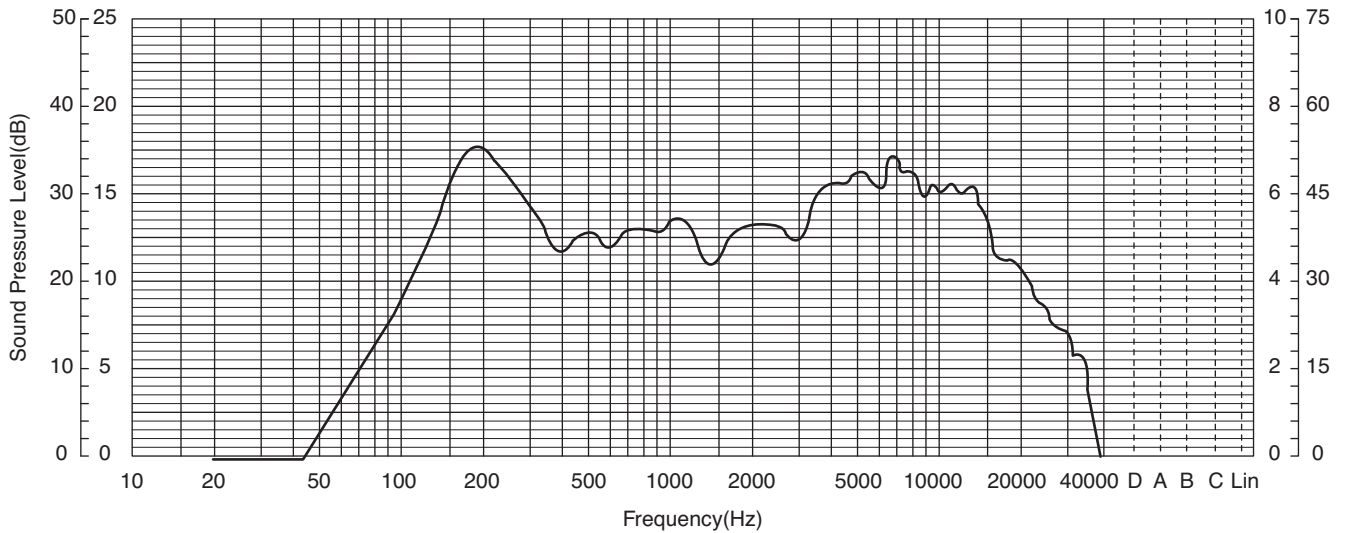


Part Number:

253-2040-RO



Frequency Response



Speaker

KT-400513

Electrical Specifications:

- Impedance: 8Ω±15%
- Resonance Frequency: 180±30Hz
- Frequency Range: 180Hz~10KHz
- Sensitivity: 85dB/W±2dB
- Input: 1.5W nom., 2.5W max.

Note:

- RoHS Compliant