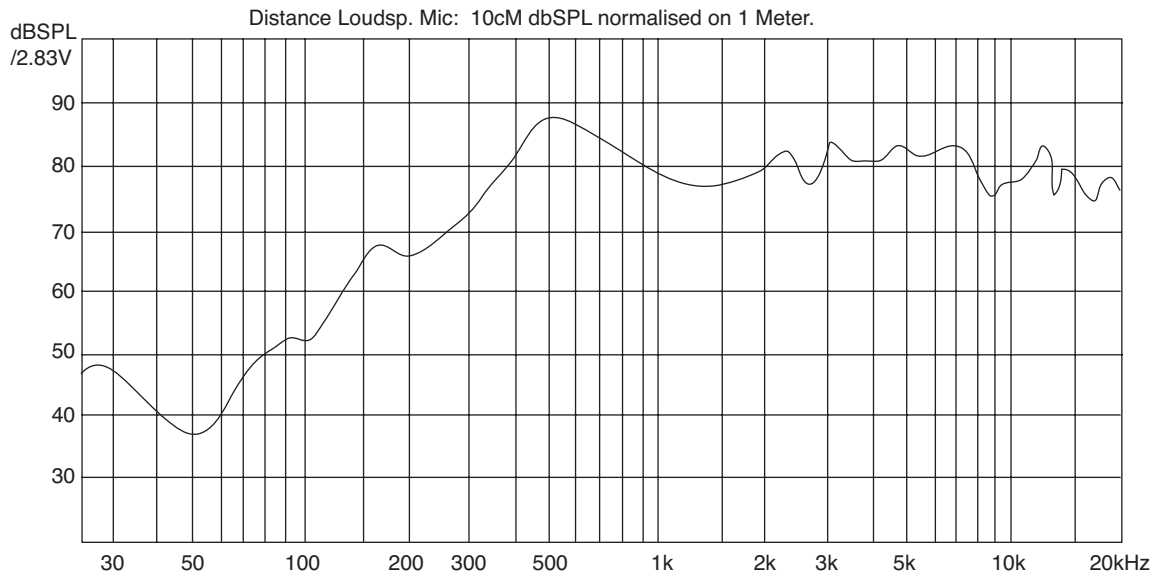
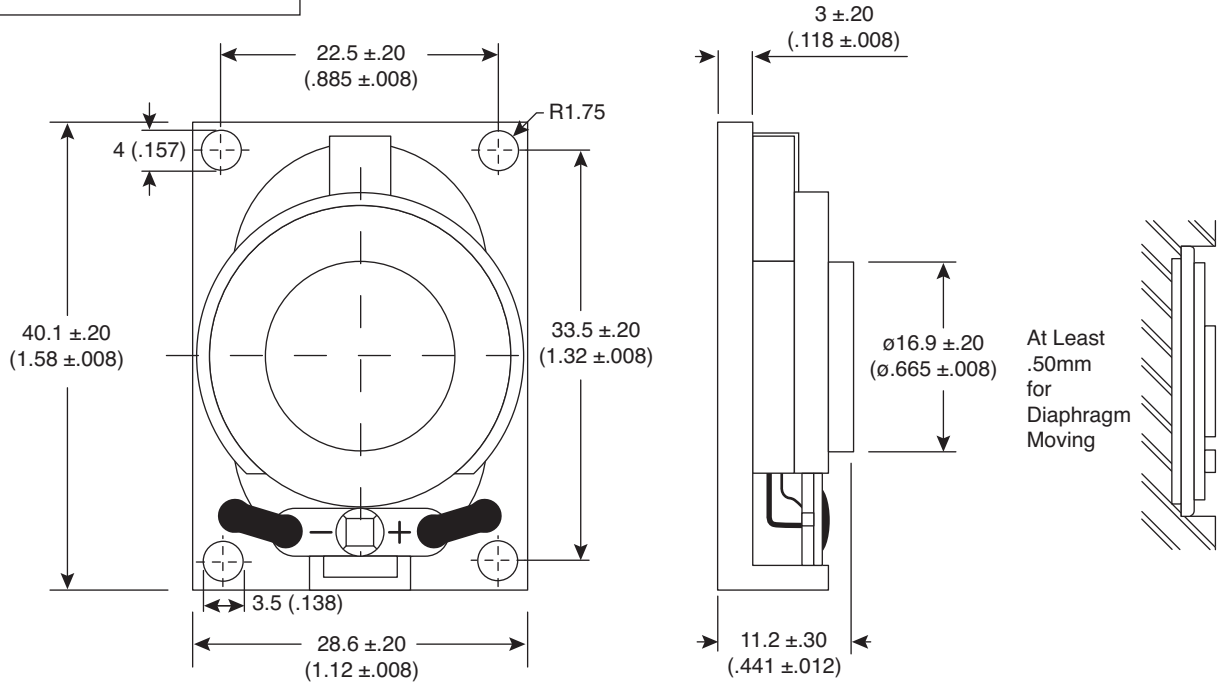


Part Number:

253-2840CP08-RO



Speaker

KT-400251

Mechanical Specifications:

- Polarity: diaphragm shall move forward when apply a positive DC current is applied to the "+" or "marked" terminal

Materials:

- Weight: 13g
- Magnet: rare earth, size $\phi 12.5 \times 2$ mm

Electrical Specifications:

- Nominal impedance: $8\Omega \pm 15\%$ at 1000Hz
- Power rating: normal 1.0w max. 2.0w
- Frequency range: 280 ~ 20kHz average SPL-10dB
- Distortion: 5% max. at 1000Hz 2.0w

Note:

- ROHS Compliant

Available from Mouser Electronics

www.mouser.com

(800) 346-6873