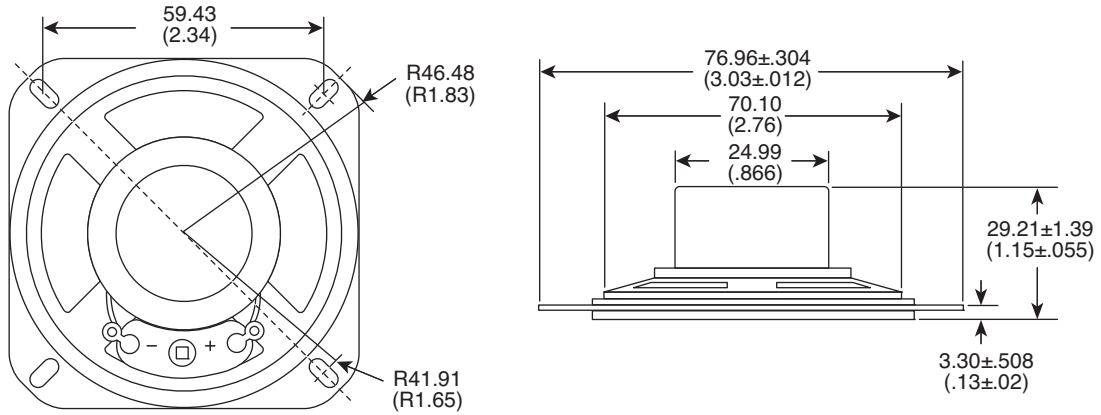
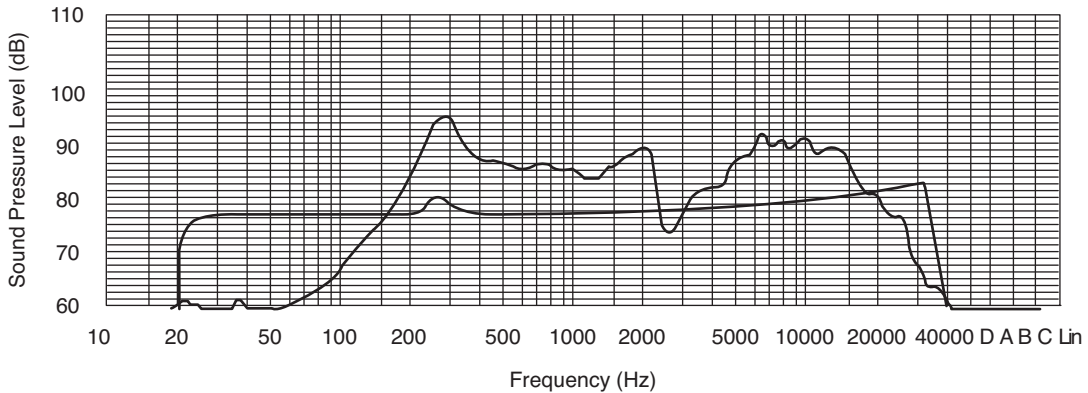


**Part Number:**

253-2032-RO



Frequency Response



Speaker

KT-400508

**Electrical Specifications:**

- Frequency Range: 220Hz ~ 10kHz
- Resonant Frequency: 220±44Hz
- Impedance: 40Ω ±2Ω
- Rated Power: 0.8W
- Maximum Power: 1.5W

**Material:**

- Magnet: Alnico

**Note:**

- RoHS Compliant