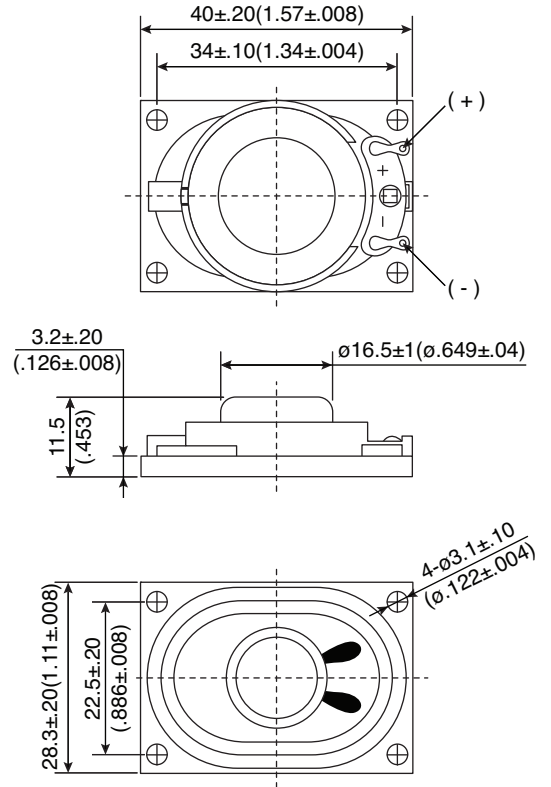
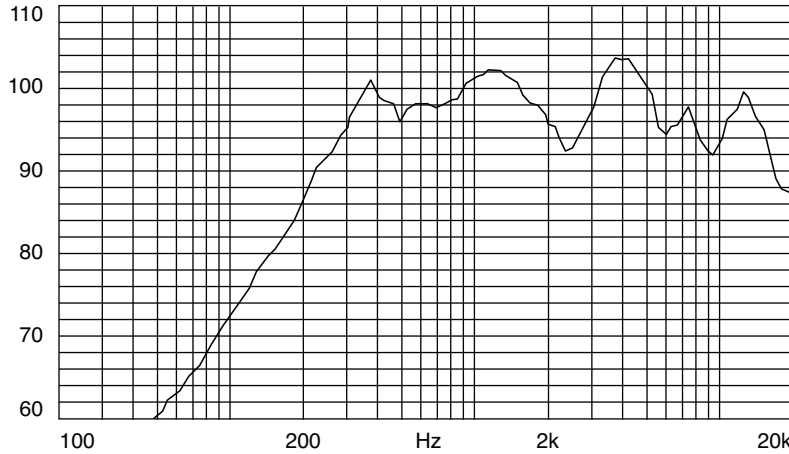


Part Number:

254-DS4028-RO

Dynamic Speaker

A: Frequency Response, Magn dB re 20.00µPA



KT-400354

Electrical Specifications:

- Rated Input Power: 2.0W
- Max. Input Power: 4.0W
- Impedance: $8\Omega \pm 15\%$ at 1500 Hz
- Resonant Frequency (Fo): 530 Hz $\pm 20\%$ at FO, 1V
- Frequency Range: Fo - 16.5KHz

Materials:

- Magnet: NdFeB

Note:

- RoHS Compliant

Mechanical Specifications:

- Operating Temperature: -20°C to + 60°C
- Storage Temperature: -30°C to +70°C