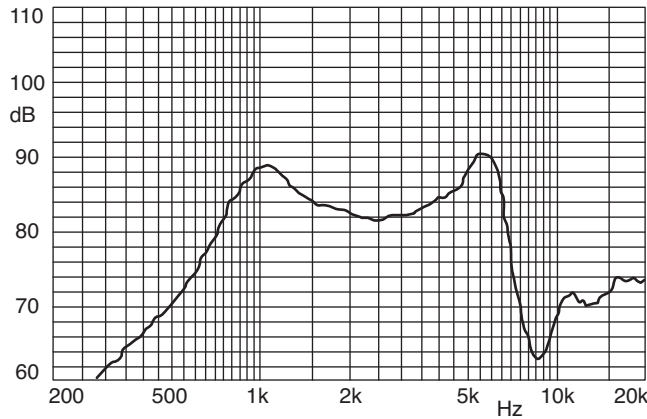
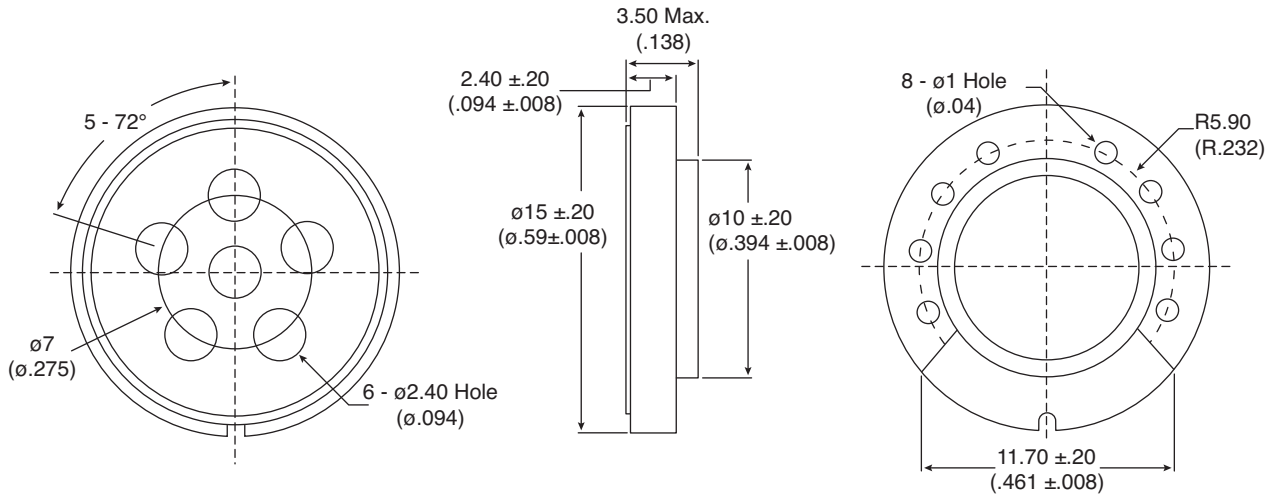


Part Number:

254-PS601-RO



Speaker

KT-400276

Electrical Specifications:

- Impedance: $8\Omega \pm 15\%$ / 1KHz / 1.0V
- Resonance Frequency: 1000Hz $\pm 15\%$ / 1.0V
- Power Ration: Nom. 0.2W; Max. 0.3W
- Sensitivity (SPL): 85 ± 3 dB / 0.2W / 10cm / Averaged @ 1.0, 1.2, 1.5, 2.0KHz
- Distortion: max. 5% at 0.2W, 1,400Hz

Note:

- RoHS Compliant