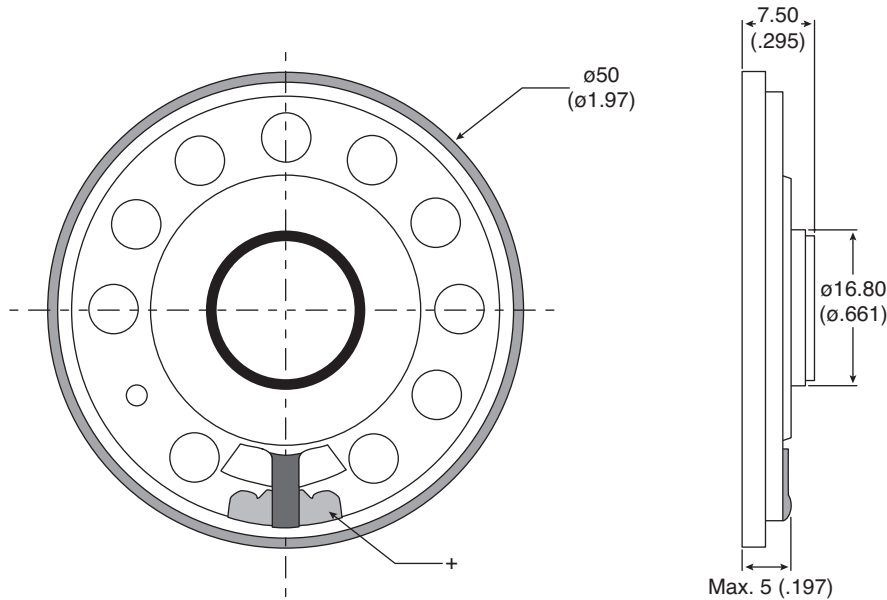
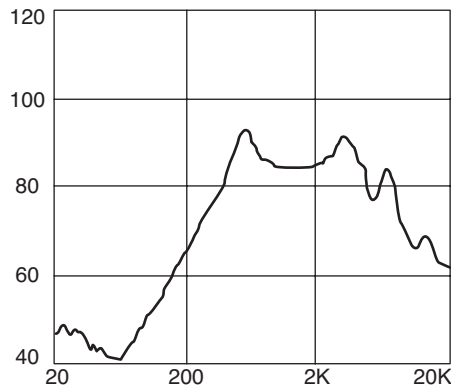


Part Number:

254-PS609-RO



Speaker



KT-400281

Electrical Specifications:

- Nominal Impedance: $8\Omega \pm 15\%$ @ 800Hz
- Power Rating: Normal 250mW Maximum 500mW
- Lowest Resonant Frequency: 500 ± 150 Hz.
- Output Sound Pressure Level (S.P.L.): 85 ± 3 dB / 0.25W 0.5 Meter. Avg at 1,000 ~ 2,000Hz.
- Frequency Range: 350 ~ 8,500Hz
- Distortion: 5% at 450Hz 250mW

Material:

- Magnet: Rare Earth
- Weight: 13.0g

Note:

- RoHS Compliant