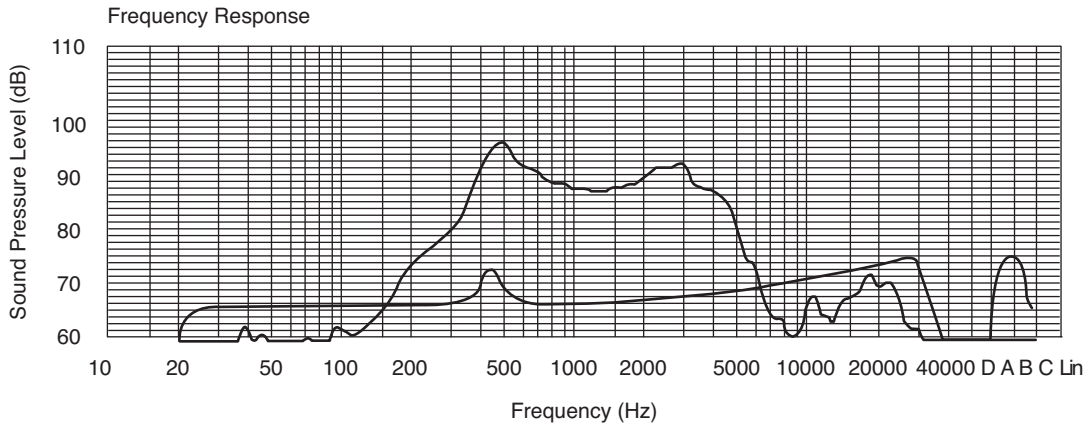
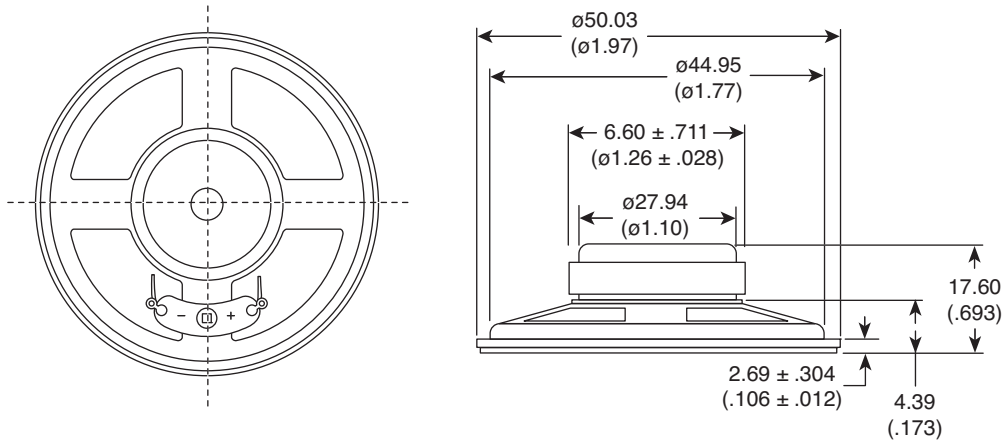


Part Number:

253-4020-RO



Speaker

KT-400521

Material specifications:

- Magnet: ferrite
- Magnet weight: .58 oz

Note:

- RoHS Compliant

Electrical specifications:

- Sensitivity: 85 ± 2 dB/W
- Resonant frequency: $500\text{Hz} \pm 100\text{Hz}$ @ 1V
- Impedance: $8\Omega \pm 15\%$ @ 1V
- Power: 0.2W
- Frequency response: F~5kHz
- Buzz & rattle test: 1.26V