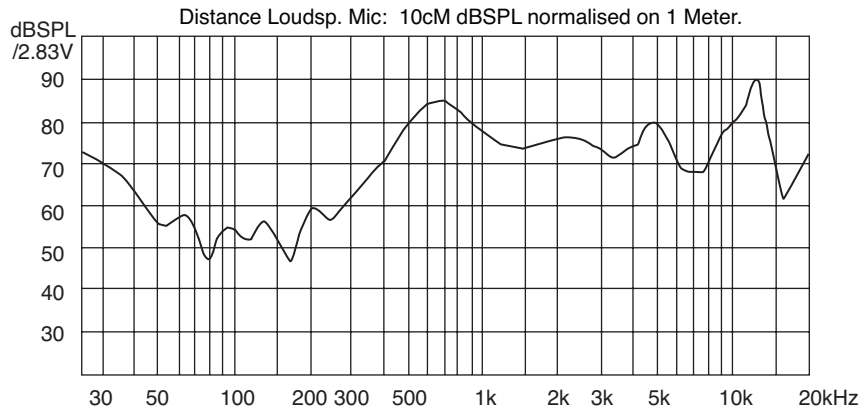
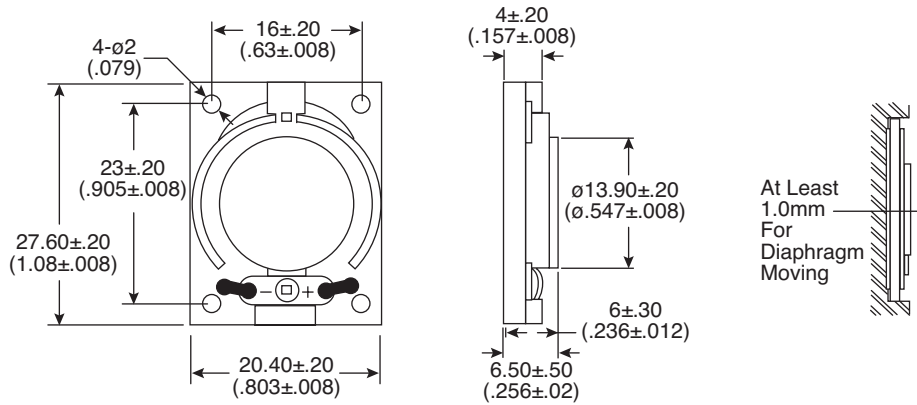


**Part Number:**

253-2027CP08-RO



Speaker

KT-400247

**Electrical Specifications:**

- Nominal Impedance: 8 $\Omega$  $\pm$ 15% @ 1000Hz
- Power Rating: Normal - 1.0W, 2.0W max.
- Frequency Range: 350~20kHz, average SPL-10dB
- Distortion: 5% max. @ 1000Hz 1.0W

**Materials:**

- Weight: 4.0g
- Magnet: Rare earth, size  $\phi 11 \times 1.5$ mm

**Note:**

- RoHS Compliant

**Mechanical Specifications:**

- Polarity: Diaphragm shall move forward when a positive DC current is applied to the "+" or "marked" terminal.

Available from Mouser Electronics

www.mouser.com

(800) 346-6873

Specifications are subject to change without notice. No liability or warranty implied by this information. Environmental compliance based on producer documentation.