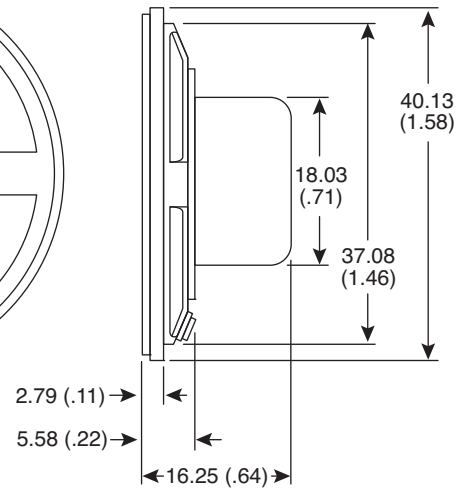
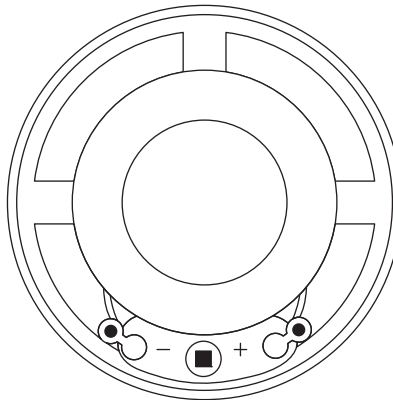
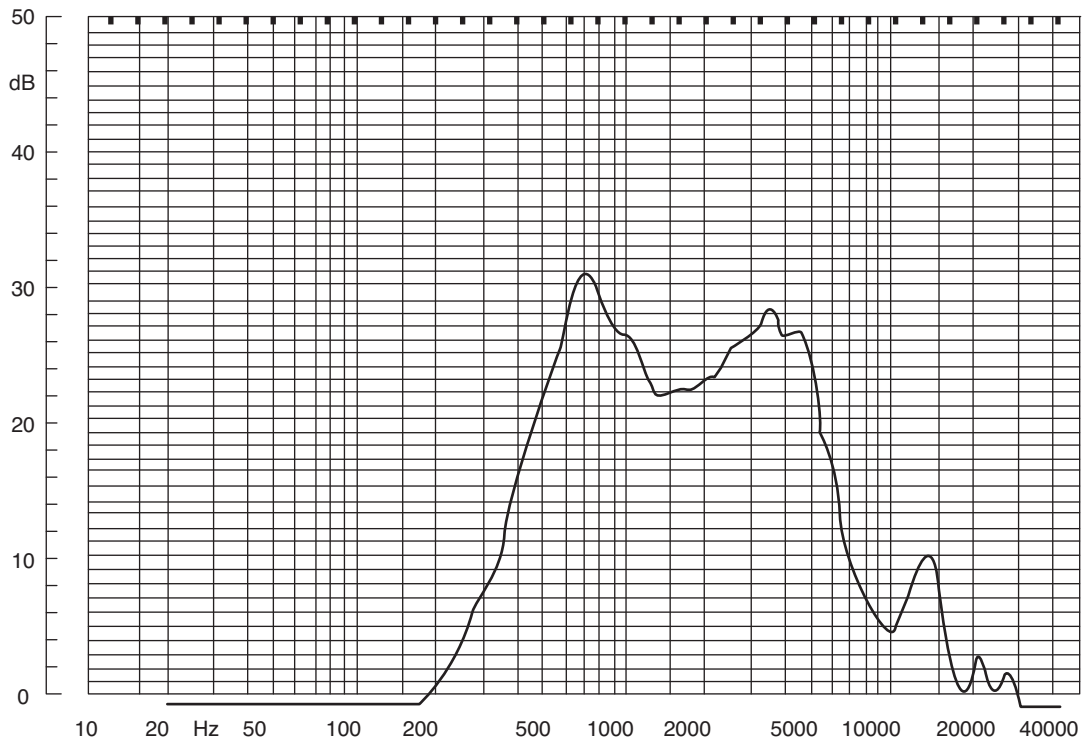


**Part Number:**

253-2115-RO



**Frequency Response**



Zero Level: 60dB

**Speaker**

KT-400515

**Electrical Specifications:**

- Impedance: 100Ω±15% @ 1V, 1KHz
- Resonance Frequency: 700Hz±140Hz @ 1V
- Frequency Range: 700Hz ~ 5KHz
- Sensitivity: 82dB/W ±2dB
- Input Power: 0.2W nominal

**Materials:**

- Magnet: Alnico, .35oz

**Note:**

- RoHS Compliant