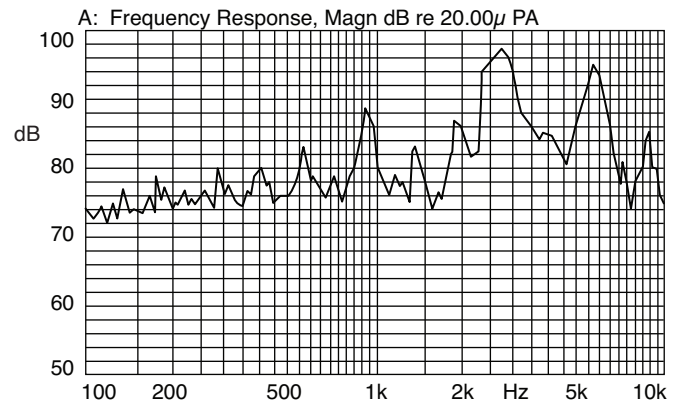
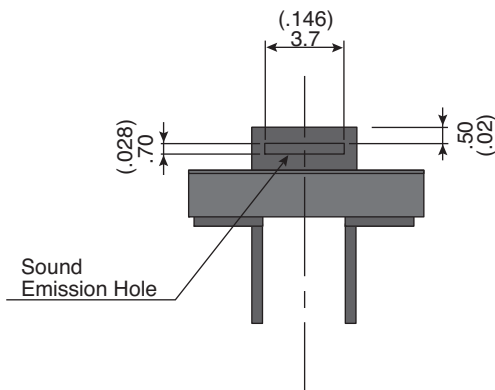
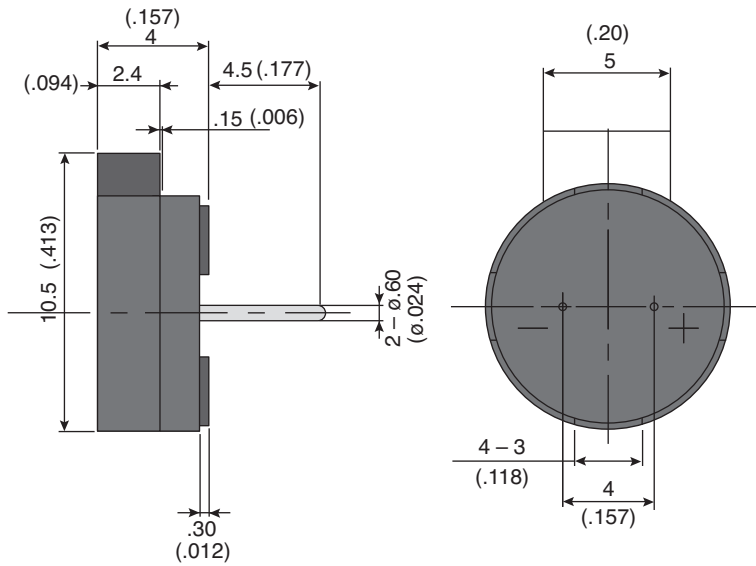
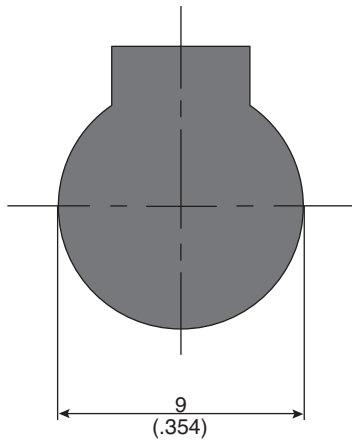


Part Number:

254-EMB93-RO

Magnetic Speaker



KT-400382

Electrical Specifications:

- Rated Voltage: 3Vo-p
- Operating Voltage: 2.0 ~ 4.0Vo-p
- Mean Current: 80 mA(Max)
- Direct Current Resistance: 15Ω± 2.3
- Sound Output: 85dBA(Min)
- Rated Frequency: 2731Hz± 200

Material:

- Operating Temperature: -40°C ~ +85°C
- Storage Temperature: -50°C ~ +95°C

Note:

- RoHS Compliant