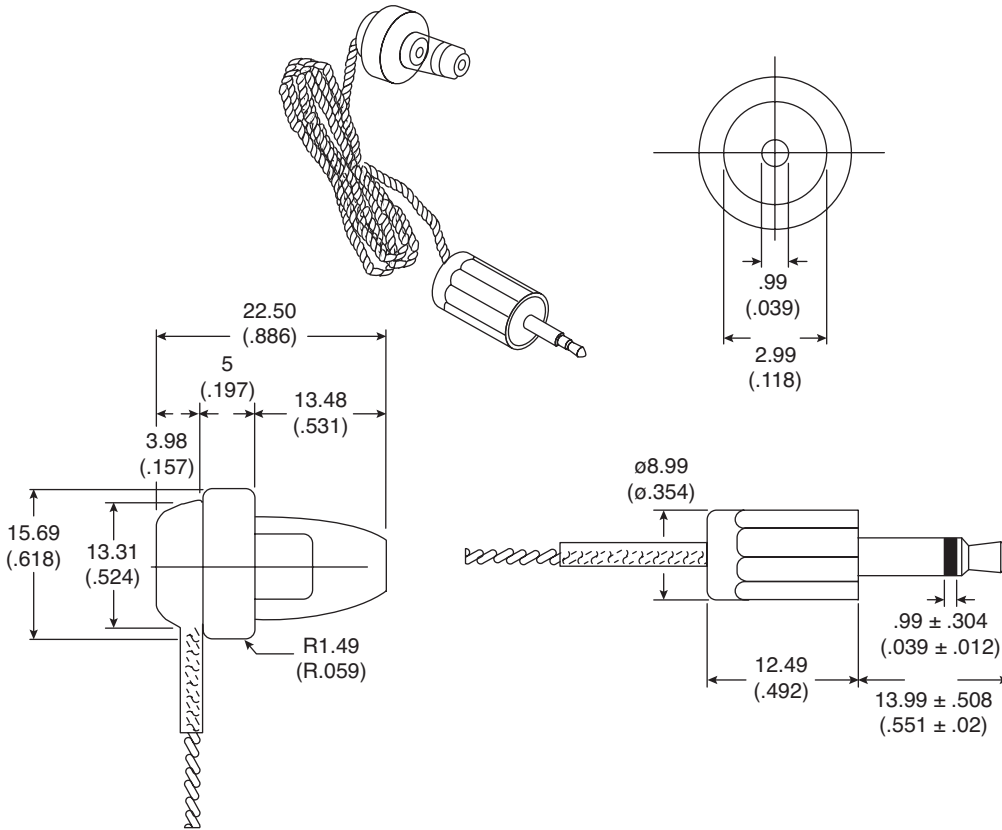


**Part Number:**

25DE138-ROX 25DE139-ROX

Earphones



KT-400302

Mouser Stock No.	Type	Impedance (Ω)	Plug (MM)	Cord Length (Ft)	Color	Earphone Support
25DE138-ROX	Dynamic	15 ± 20%	3.5	6	Flesh	Yes
25DE139-ROX	Dynamic	1K ± 20%	3.5	3	Flesh	Yes

**Electrical Specifications:**

- Sensitivity: 90 db ± 7 db
- Max pwr input: 150mW
- Coil inductance: 100 mH

**Material:**

- Weight: 1.5 lbs / 100

**Note:**

- RoHS Compliant by exemption