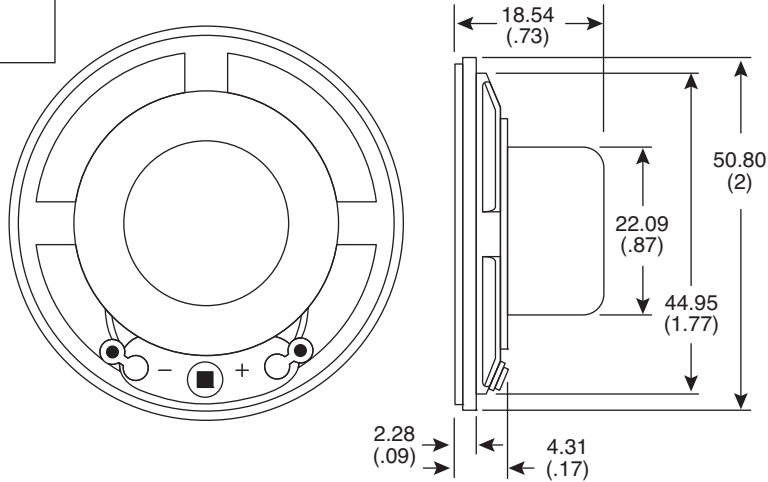
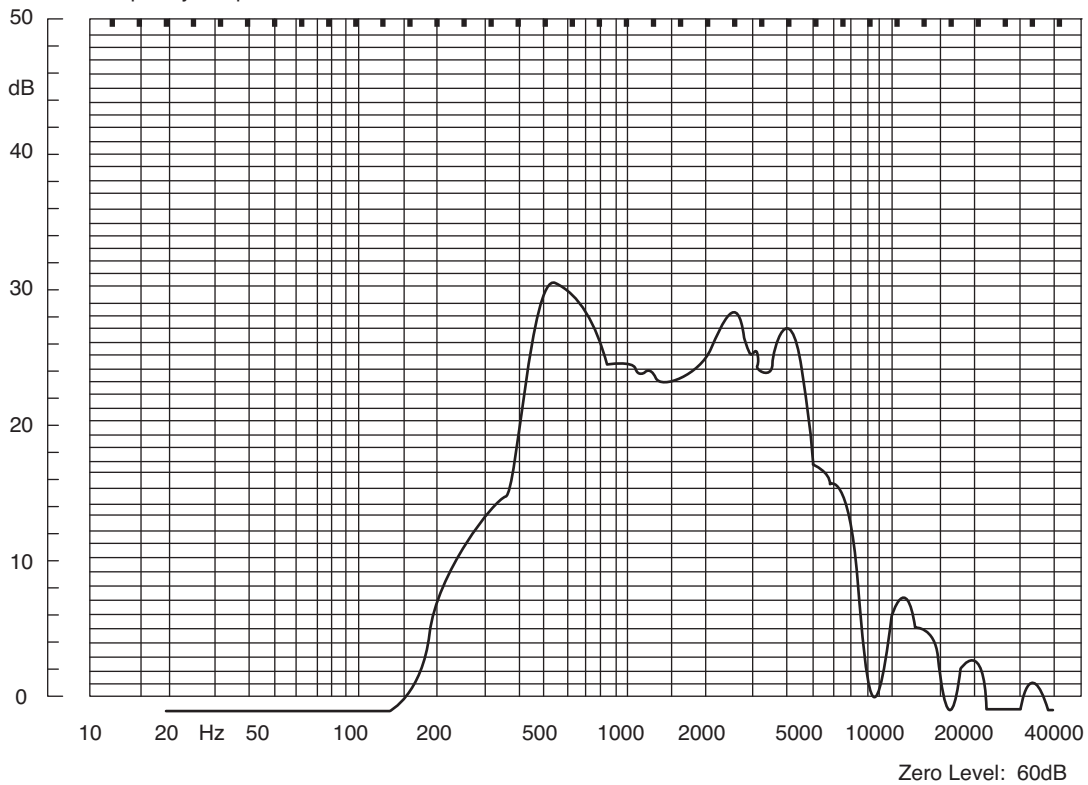


Part Number:

253-2020-RO



Frequency Response



Speaker

KT-400510

Electrical Specifications:

- Frequency range: 500Hz ~ 5KHz
- Impedance: 8Ω ±15% @ 1V, 1KHz
- Resonant frequency: 500Hz ±100Hz @ 1V

- Sensitivity: 84dB/W ±2dB
- Input power: .20W nominal

Materials:

- Magnet: Alnico, .35oz.

Note:

- RoHS Compliant