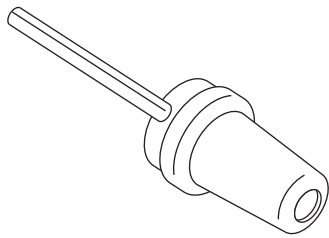
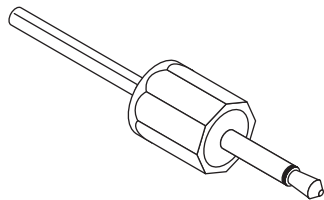


Part Number:

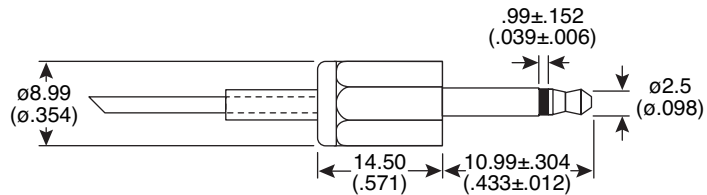
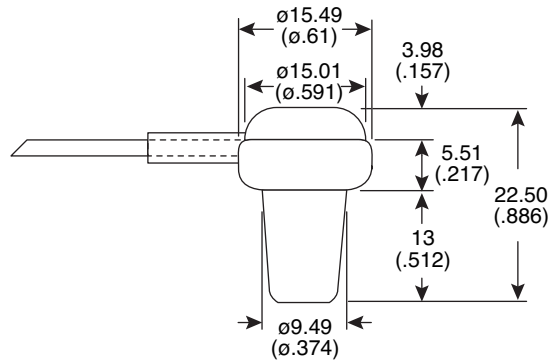
25DE025-ROX



Earphone
Type:
Dynamic



2.5mm
Plug



Earphones

KT-400305

Electrical Specifications:

- Impedance: $8\Omega \pm 20\%$
- Sensitivity: $95 \pm 7 \text{dB/mW}$
- Maximum power: 200mW

Materials:

- Cord: Parallel, PVC jacket, white
- Cord Length: 3 ft
- Cap, cover: polypropylene
- Tube: vinyl
- Sleeve & tip: copper
- Insulation collar: ABS

Note:

- RoHS Compliant by exemption