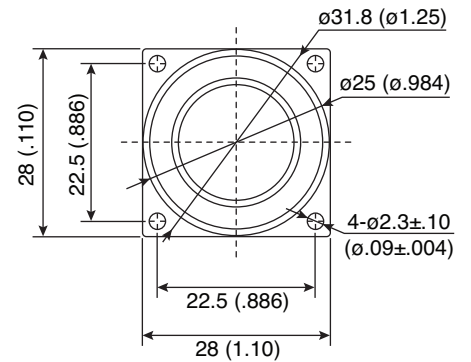
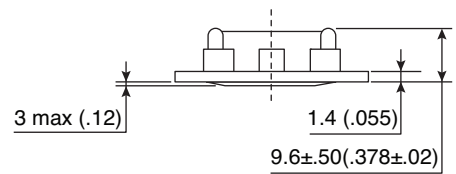
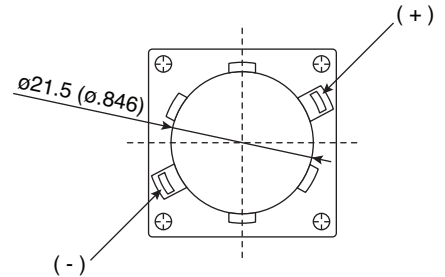
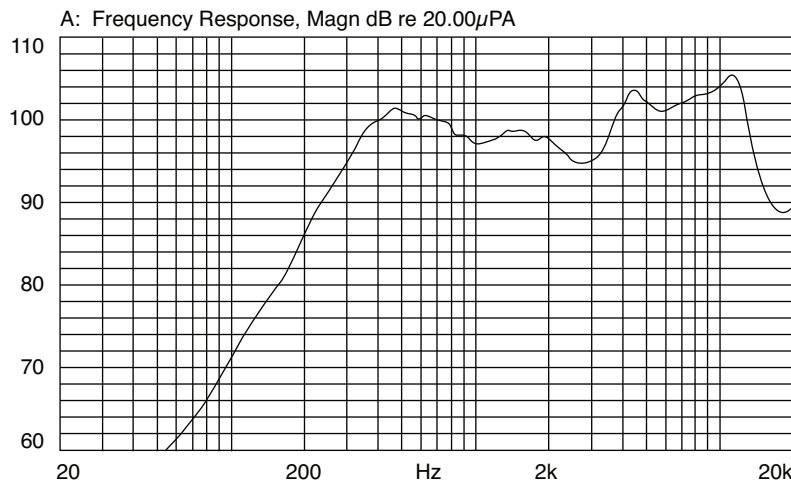


Part Number:

254-DS2828-RO

Dynamic Speaker



KT-400357

Electrical Specifications:

- Rated Input Power: 2.0W
- Max. Input Power: 1.0W for 1 minute
- Impedance: $8\Omega \pm 15\%$ at 2KHz
- Resonant Frequency (F_0): $500 \text{ Hz} \pm 20\%$ at F_0 , 1V
- Frequency Range: F_0 -20KHz

Mechanical Specifications:

- Operating Temperature: $-20^\circ\text{C} \sim +60^\circ\text{C}$
- Storage Temperature: $-30^\circ\text{C} \sim +70^\circ\text{C}$

Material:

- Magnet: NdFeB
- Case: ABS

Note:

- RoHS Compliant