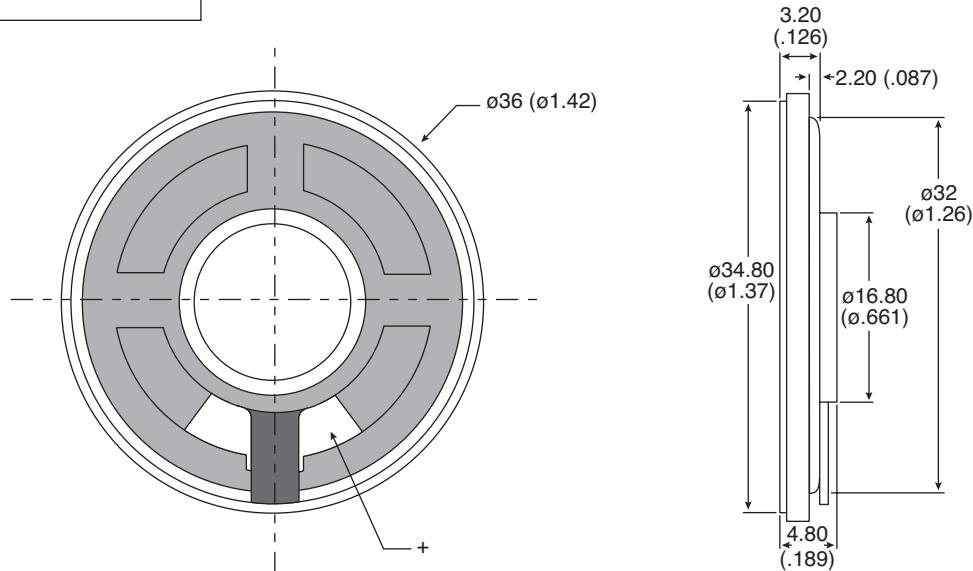
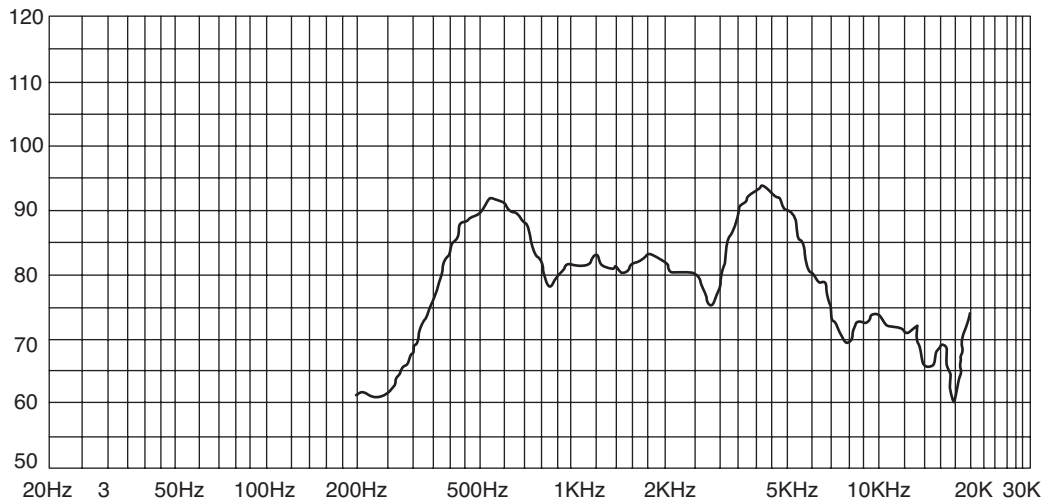


**Part Number:**

254-PS606-RO



**Speaker**



KT-400279

**Electrical Specifications:**

- Nominal Impedance:  $25\Omega \pm 15\%$  @ 1,000Hz
- Power Rating: Normal 200mW Maximum 500mW
- Lowest Resonant Frequency:  $500 \pm 150$ Hz.
- Output Sound Pressure Level (S.P.L.):  $83 \pm 3$ dB / 0.2W 0.5 Meter. Avg at 800 ~ 1500Hz.
- Frequency Range: 320 ~ 7,200Hz

**Material:**

- Magnet: Rare Earth
- Weight: 7.5g

**Note:**

- RoHS Compliant