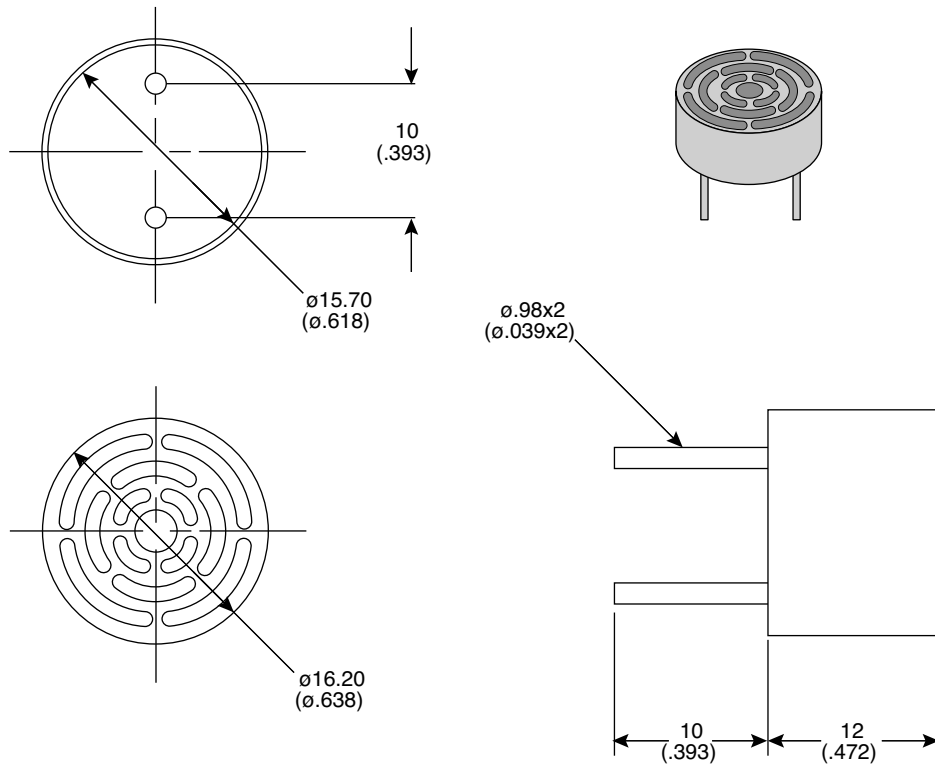


Part Number:

255-250ST16P-ROX,
255-250SR16P-ROX

Ultrasonic Transducers



KT-400315

Electrical Specifications:

- Center Frequency: 25.0±1.0KHZ
- Sensitivity: 255-250SR16P-ROX = -62dB at 25KHZ (0dB=1 Volt/ μ bar)
- Capacitance: 2400±20%pF @ 1KHZ
- Allowable Input Power: .20 Watt

- SPL: 255-250ST16P-ROX= 112dB at 25KHZ (0dB re 0.0002 μ bar)

Mechanical Specifications:

- Type: Transmitter: 255-250ST16P-ROX
Receiver: 255-250SR16P-ROX
- Operating Temperature: -30°C to +80°C
- Storage Temperature: -40 to -85°C

Note:

- RoHS Compliant by Exemption