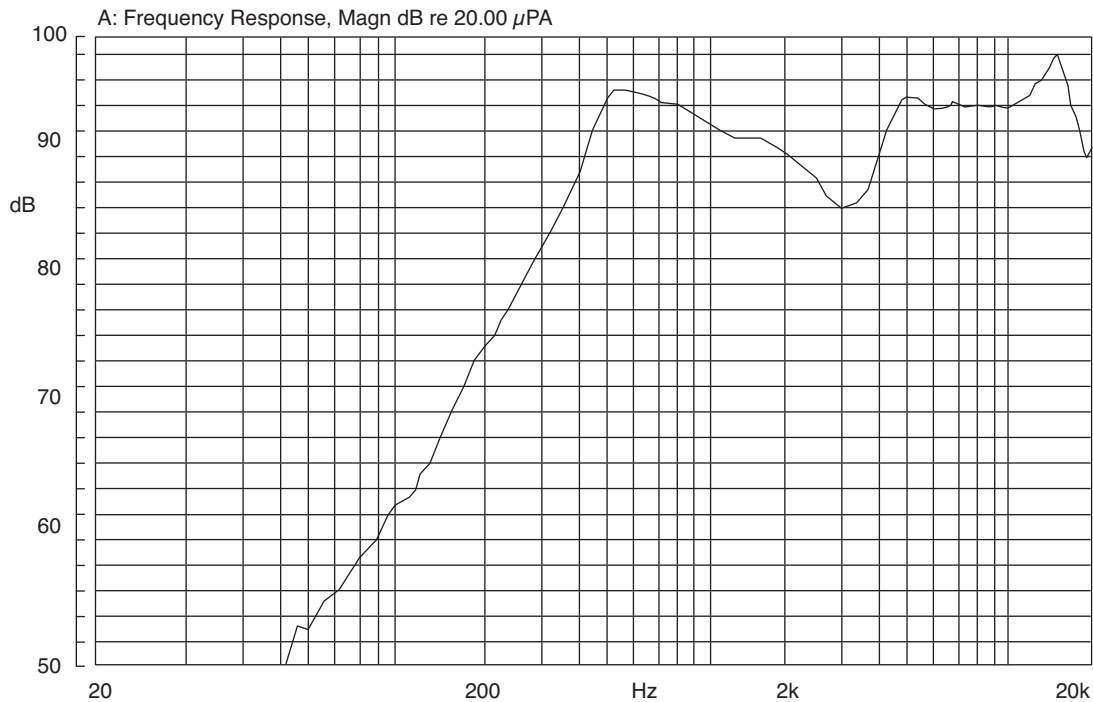
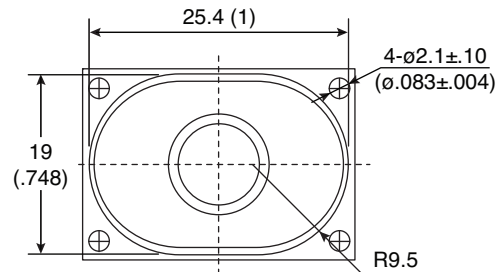
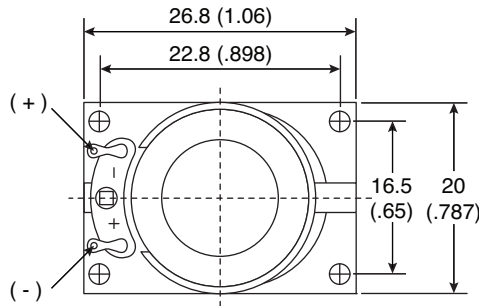
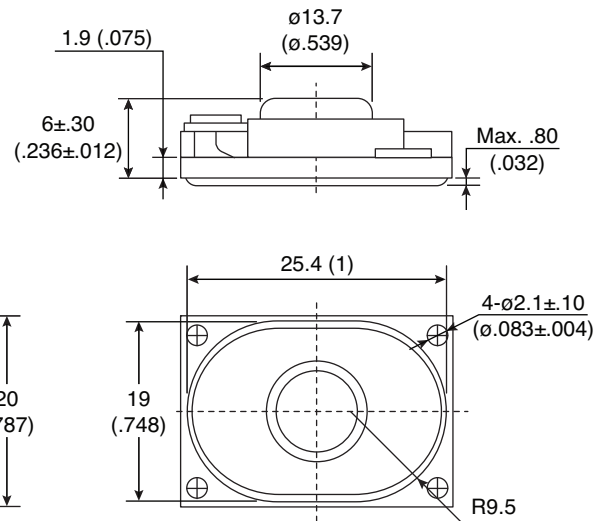


Part Number:

254-DS2720-RO



Dynamic Speaker

KT-400439

Electrical Specifications:

- Rated Input Power: 1.0 W
- Max. Input Power: 2.0 W
- Impedance: 8Ω ± 15% at 1500Hz
- Resonant Frequency (Fo): 600Hz ± 20% at Fo, 1V
- Sensitivity (SPL): 73dB(W/m) ± 3dB
92dB(1.0W/0.1m) ± 3 dB
- Frequency Range: Fo - 20K Hz

Material:

- Magnet: Nd-Fe-B

Mechanical Specifications:

- Operating Temperature: -20°C ~ +60°C
- Storage Temperature: -30°C ~ +70°C

Note:

- RoHS Compliant