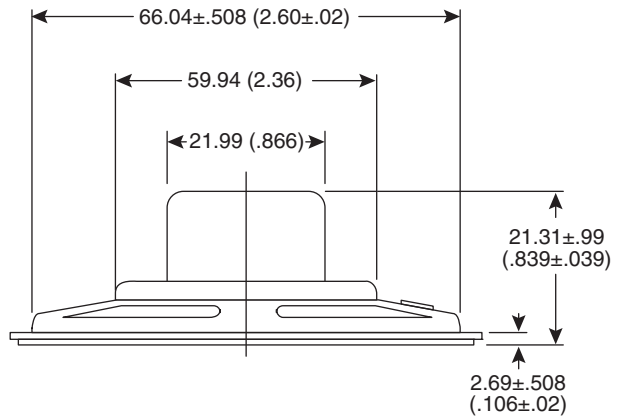
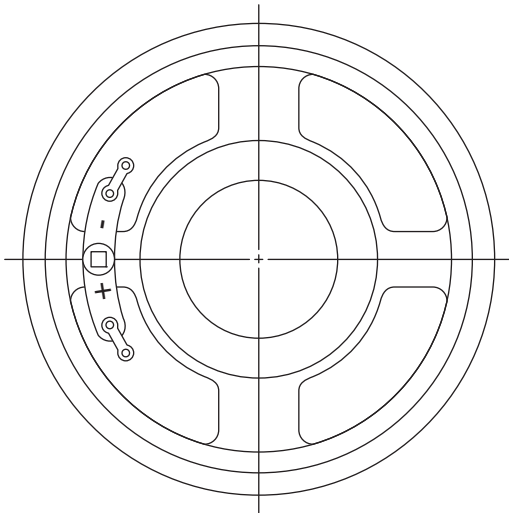
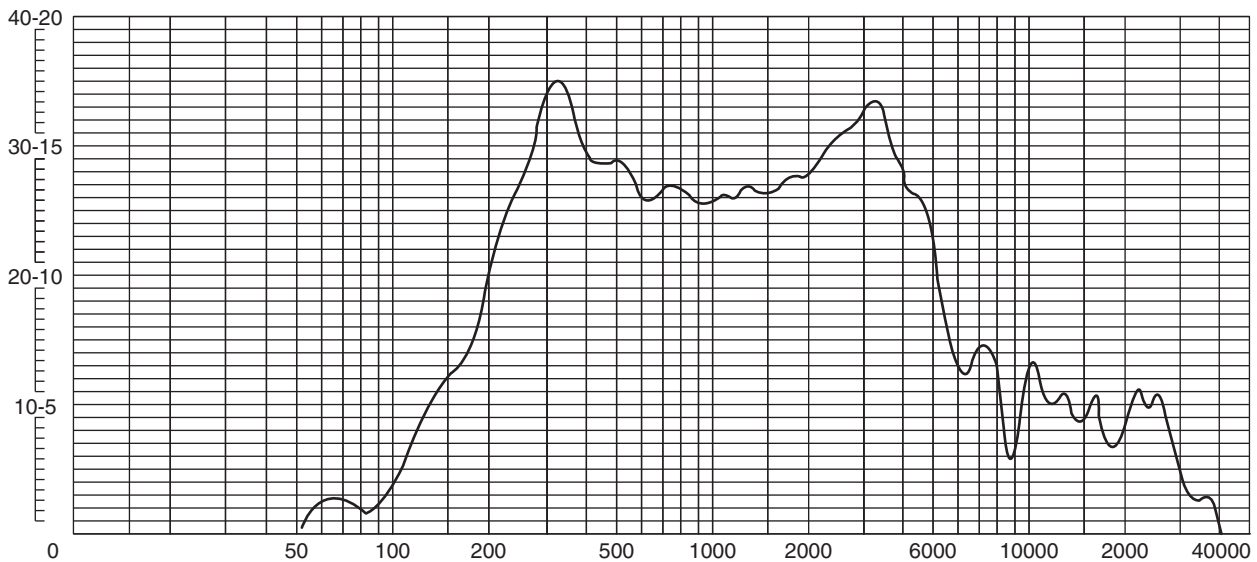


Part Number:

253-2025-RO



Speaker



KT-400512

Electrical Specifications:

- Impedance: $8\Omega \pm 1.2\Omega$
- Resonant Frequency: $300\text{Hz} \pm 60\text{Hz}$
- Frequency Range: 300Hz~4KHz
- Rated Power: 0.5w

Materials:

- Magnet Type: Alnico

Note:

- RoHS Compliant