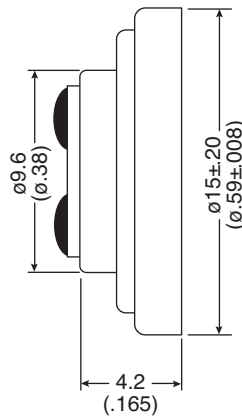
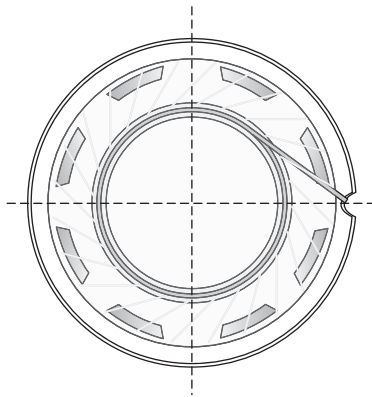


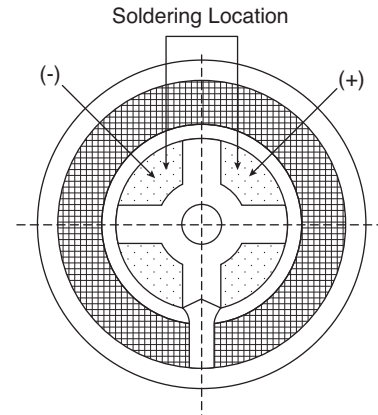
**Part Number:**

254-PS602-RO

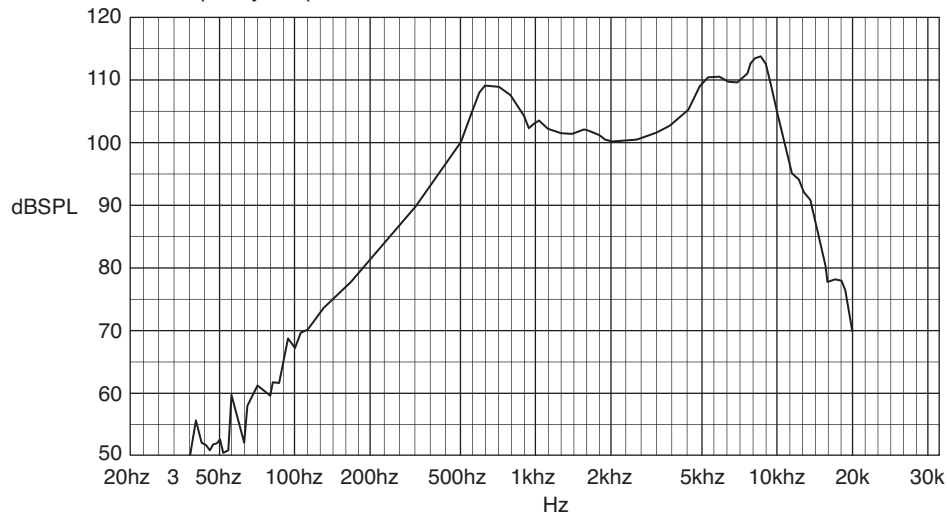
Front View



Back View



Frequency Response Curve



Speaker

KT-400277

**Electrical Specifications:**

- Nominal Impedance: 32Ω ±15% @ 1800Hz / 0.98V
- Power Rating: Normal 0.03W Maximum 0.05W
- Lowest Resonant Frequency: 680 ±150Hz
- Output Sound Pressure Level (S.P.L.): 103 ± 3dB / 0.03W 0.01 Meter Avg at 1000 ~ 2,000Hz
- Frequency Range: FO ~ 20,000Hz
- Distortion: Max. 5% at 1600Hz 0.03W

**Mechanical Specifications:**

- Operating Temperature: -25°C ~ +50°C
- Storage Temperature: -25°C ~ +55°C

**Material:**

- Magnet: NdFeB
- Weight: 1.7g

**Note:**

- RoHS Compliant