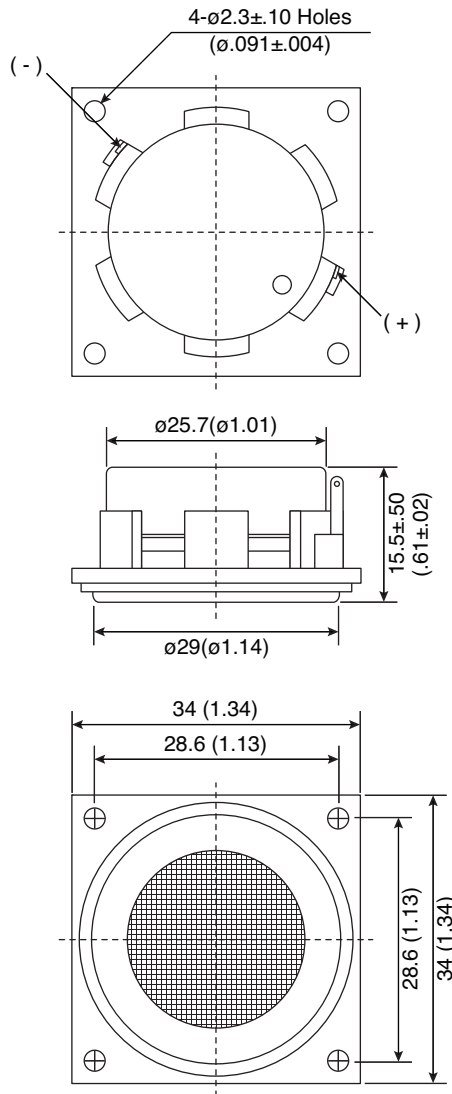


Part Number:

254-DS348-RO

Dynamic Speaker



KT-400340

Electrical Specifications:

- Rated Input Power: 3.5W
- Impedance: $8\Omega \pm 15\%$ at 1000Hz
- Resonant Frequency (Fo): $280\text{Hz} \pm 20\%$ at Fo, 1V
- Frequency Range: Fo-20KHz
- Max. Input Power: Must be normal at 5.0W white noise for 1 minute.

Mechanical Specifications:

- Operating Temperature: -20°C to $+60^{\circ}\text{C}$
- Storage Temperature: -30°C to $+70^{\circ}\text{C}$

Materials:

- Magnet: NdFeB

Note:

- RoHS Compliant