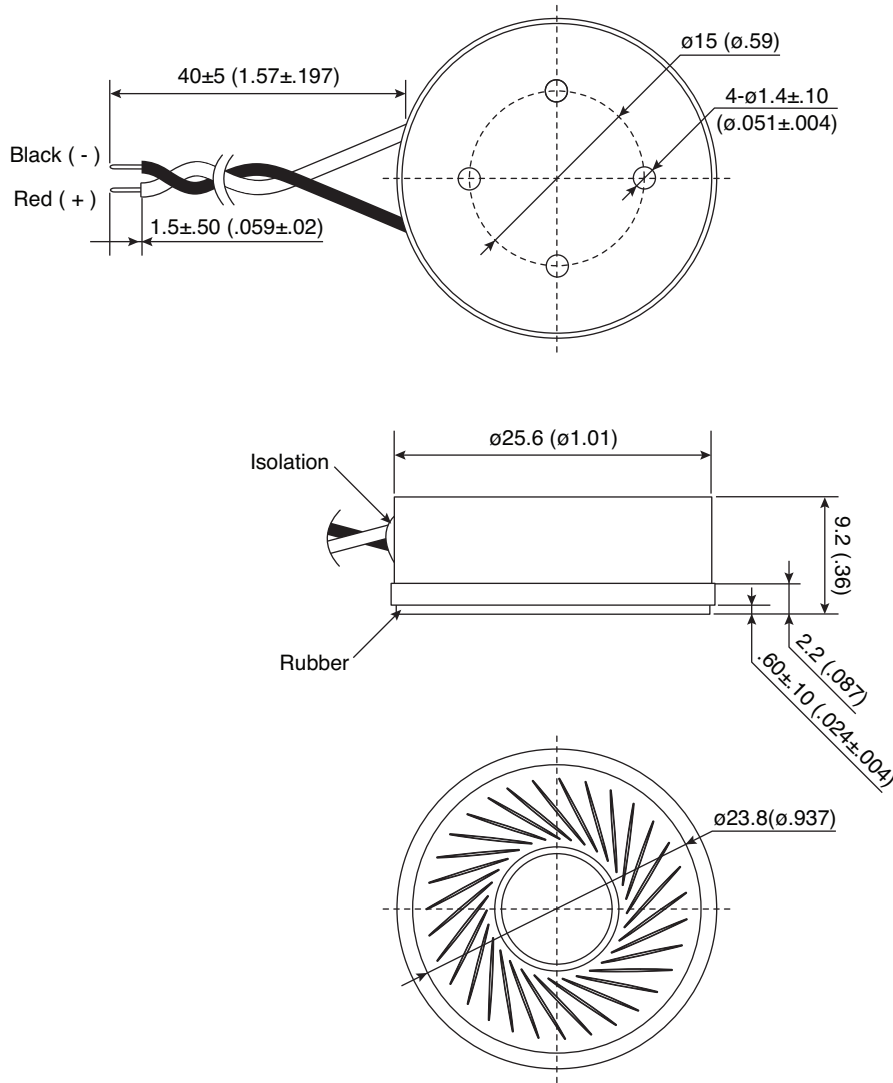


**Part Number:**

254-DS268-RO



Dynamic Speaker

KT-400349

**Electrical Specifications:**

- Rated Input Power: 0.5W
- Max. Input Power: 0.6W
- Impedance:  $8\Omega \pm 15\%$  at 1.5KHz
- Resonant Frequency (Fo): 550 Hz  $\pm 20\%$  at Fo, 1V
- Frequency Range: Fo-20KHz

**Material:**

- Magnet: NdFeB

**Note:**

- RoHS Compliant

**Mechanical Specifications:**

- Operating Temperature:  $-20^{\circ}\text{C} \sim +60^{\circ}\text{C}$
- Storage Temperature:  $-30^{\circ}\text{C} \sim +70^{\circ}\text{C}$