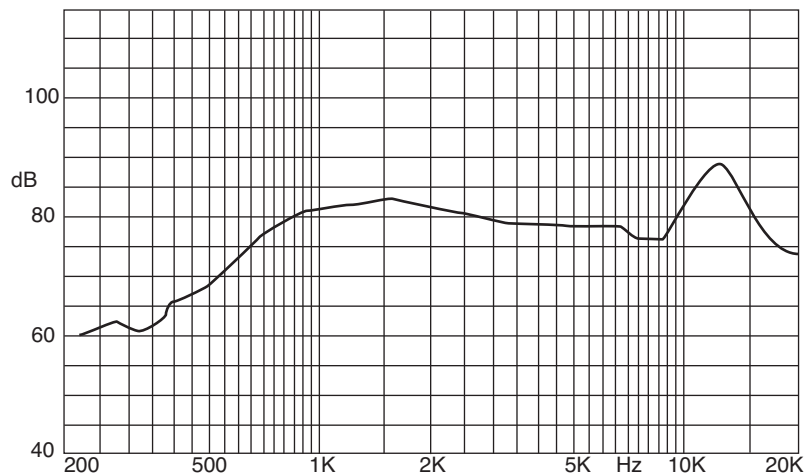
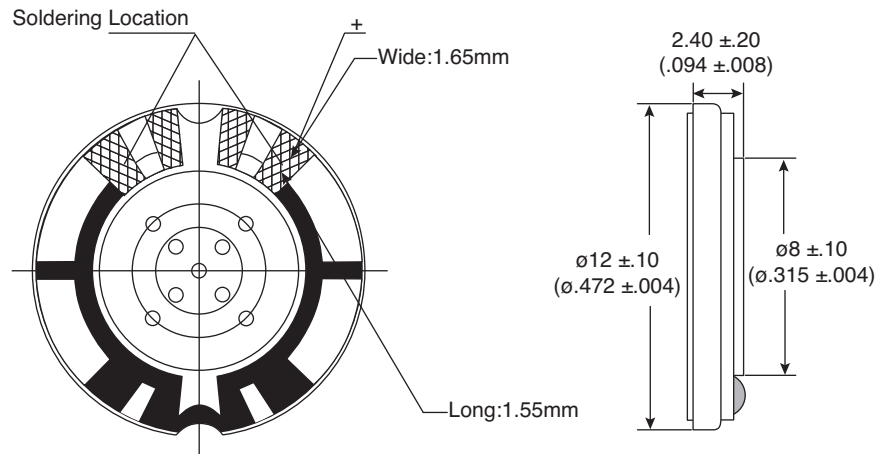


Part Number:

254-PS600-RO



Speaker

KT-400402

Electrical Specifications:

- Frequency range: 1,000 ~ 20,000Hz
- S.P.L.: 83 \pm 3dB / 0.3W 0.1 meter average
- Power Rating: Normal .3W, Maximum .5W
- Lowest Resonant Frequency: 1000 \pm 200Hz
- Distortion: max. 10% at 1,600Hz .3W
- Nominal Impedance: 8 Ω \pm 15% at 1,000Hz / 1.0V

Note:

- RoHS Compliant

Mechanical Specifications:

- Operating Temperature: - 25°C ~ +50°C
- Storage Temperature: - 25°C ~ +55°C

Materials:

- Magnet: NDFEB Size
- Weight: 0.7g