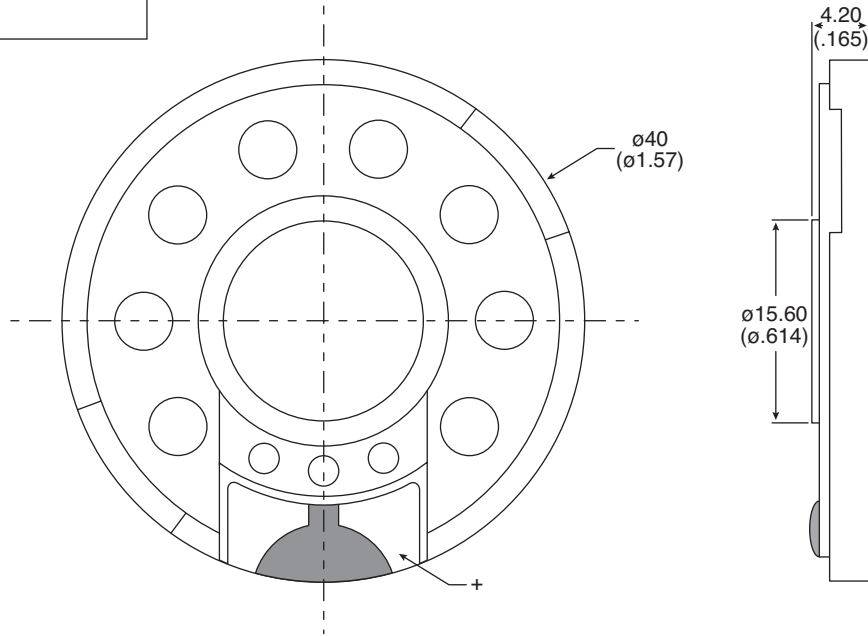
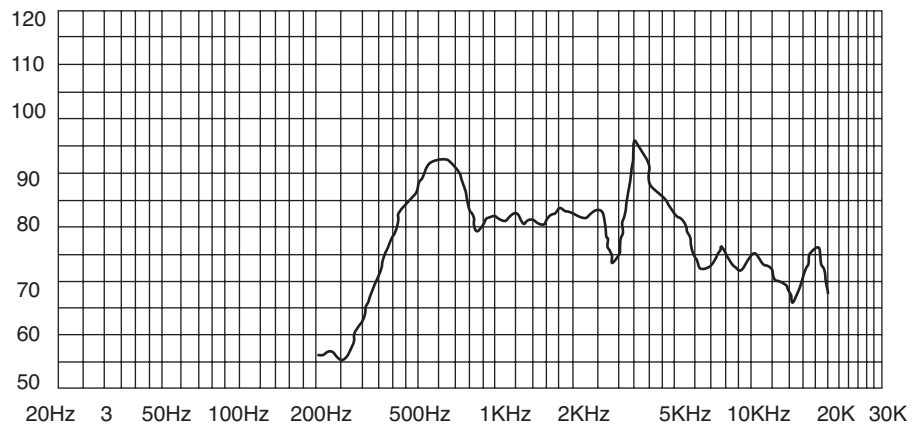


**Part Number:**

254-PS608-RO



Speaker



KT-400280

**Electrical Specifications:**

- Nominal Impedance: 8Ω ±15% @ 900Hz
- Power Rating: Normal 200mW Maximum 500mW
- Lowest Resonant Frequency: 600 ±150Hz.
- Output Sound Pressure Level (S.P.L.): 82 ±3dB / 0.2W 0.5 Meter.  
Avg at 1,000 ~ 2,000Hz.
- Frequency Range: 350 ~ 11,000Hz
- Distortion: 5% at 700Hz 200mW

**Material:**

- Magnet: Rare Earth
- Weight: 6.0g

**Note:**

- RoHS Compliant