

R95-109

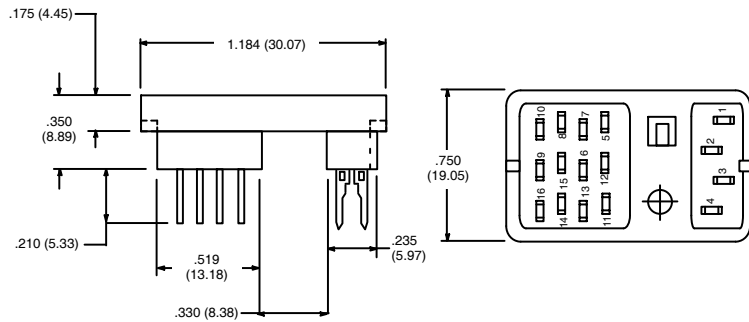
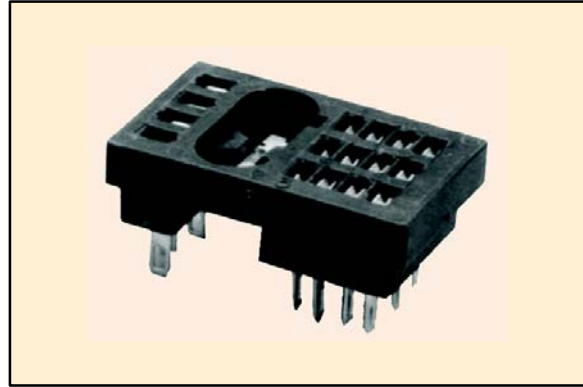
16-Pin Blade Socket

Features

- Panel Mount
- Solder Terminals

Electrical Rating:

1000 Volts, 10 Amps



R95-110



8-Pin Midget Blade Socket

Features

- Panel/Surface Mount
- Pressure Clamp Screws
- Accepts .187" Blade Terminals
- Hold down clip supplied with socket, also available separately (R95-001)

Electrical Rating:

300 Volts, 10 Amps

