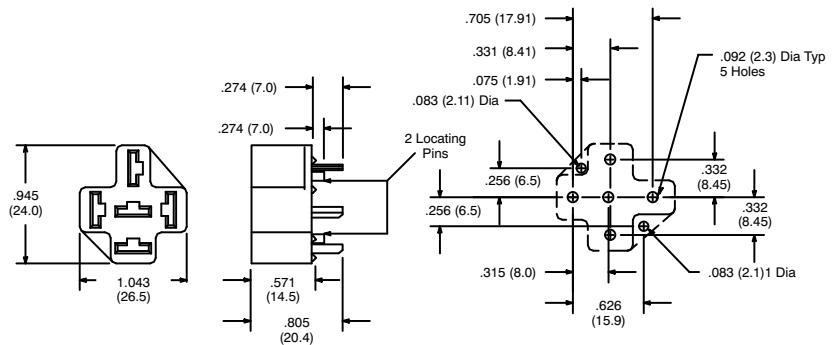
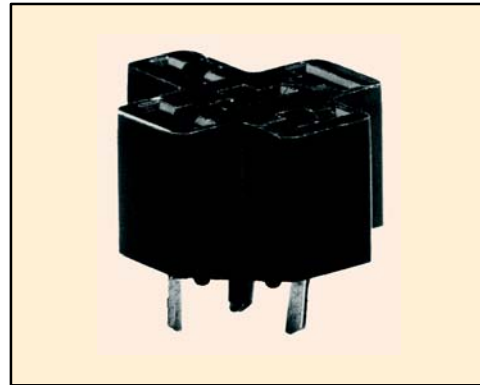


R95-160

5-Pin PC Board Socket

Features

- For R51 Series Automotive Relay (50 Amp ONLY)
- Continuous Temperature Rating of +130°C



R95-160A

4-Pin Automotive High Current Socket

Features

- For R51 Series 70 Amp Automotive Relay
- Quick Connect Terminals supplied with socket

