

# DIGITAL I/O MODULES

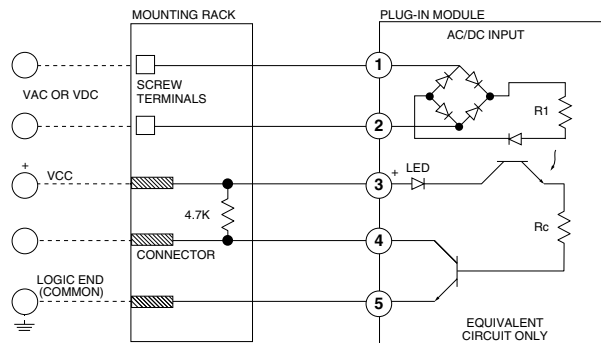
## C4 INPUT MODULES



### FEATURES:

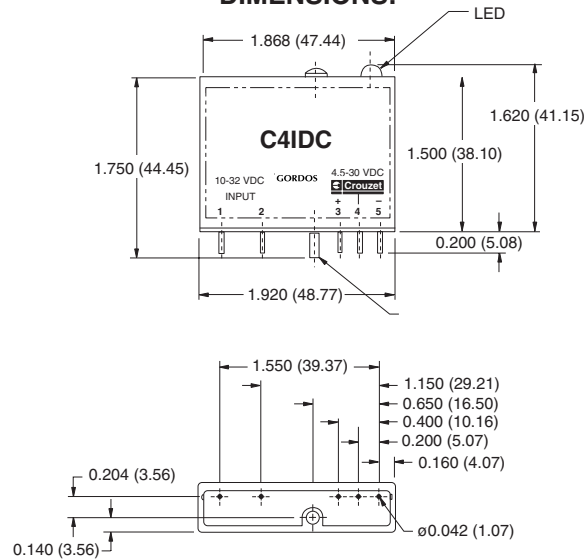
- CE Compliant
- Built-in LED Status Indicator
- Regulated Supply Voltage
- New Industry Standard Packaging
- 4000 VAC Optical Isolation
- AC and DC Inputs
- UL and CSA

### SCHEMATIC:



C4 SERIES I/O MODULES  
AC/DC INPUT SCHEMATIC

### DIMENSIONS:



Products and specifications subject to change without notice.  
Consult factory for application assistance.

## DIGITAL I/O MODULES

### C4 INPUT MODULES

#### SPECIFICATIONS:

##### INPUT SPECIFICATIONS: (1)

	C4IAC	C4IACA	C4IDC	C4IDCB	C4IDCG	C4IDCK
Nominal Voltage	120 VAC	240 VAC	10-32 VDC	4-16 VDC	35-60 VDC	2.5-16 VDC
Maximum Voltage	140 VAC	280 VAC	32 VDC	16 VDC	60 VDC	16 VDC
Minimum Voltage	90 VAC	140 VAC	10 VDC	4 VDC	35 VDC	2.5 VDC
Resistance (2) (3)	22 kΩ	75 kΩ	2 kΩ	400 Ω	10 kΩ	300 Ω
Maximum Current (4)	14 mA	5 mA	20 mA	40 mA	10 mA	60 mA
Drop out Current (5)	3 mA	1 mA	1.5 mA	2 mA	1 mA	2 mA
Input Allowed for No Output (6)	2.5 mA/50 VAC	.7 mA/50 VAC	1 mA/3 VDC	.7 mA/1 VAC	.7 mA / 7 VDC	.2 mA / 1 VDC
Maximum Turn-on Time (12)	20 ms	20 ms	5 ms	50 μs	10 ms	25 μs
Maximum Turn-off Time (12)	20 ms	20 ms	5 ms	100 μs	10 ms	25 μs

##### OUTPUT SPECIFICATIONS: (1)

	C4IAC C4IACA C4IDC	C4IDCB C4IDCG C4IDCK
Logic Supply Voltage	4.5 to 30 VDC	
Maximum Logic Supply Voltage	30 VDC	
Minimum Logic Supply Voltage	4.5 VDC	
Maximum Logic Supply Current (7)	25 mA	
Maximum Supply Idle Current (8)	7 mA	
Maximum Current (9)	50 mA	
Maximum Logic Leakage Current (10)	10 μA	
Maximum Output Voltage Drop (11)	0.2 VDC	

##### GENERAL SPECIFICATION: (1)

Operating Temperature Range	-30 to +80°C
Storage Temperature Range	-40 to +100°C
Input to Output Isolation Voltage (13)	4000 VAC

##### ORDERING INFORMATION:

PART NUMBER	INPUT	DC OUTPUT LOGIC
C4IAC	90-140 VAC	4.5 to 30 VDC
C4IACA	140-280 VAC	4.5 to 30 VDC
C4IDC	10-32 VDC	4.5 to 30 VDC
C4IDCB	4-16 VDC	4.5 to 30 VDC
C4IDCG	35-60 VDC	4.5 to 30 VDC
C4IDCK	2.5-16 VDC	4.5 to 30 VDC

##### Notes:

- (1) Specifications apply to an ambient temperature of -30 to 80°C unless otherwise noted.
- (2) Resistance values for C4IAC modules are effective impedance values at 25°C.
- (3) Resistance values are +/-10% at 25°C.
- (4) At max turn-on voltage, TA=25°C
- (5) For on-state condition to off-state condition, TA=25°C. Higher currents may result in the output remaining in the "on" state.
- (6) Defined as the maximum current/voltage allowed through the module's input that will not switch the module's output state from "off" to "on."
- (7) At maximum logic supply voltage and 25°C.
- (8) At maximum specified logic voltage and 25°C.
- (9) Maximum allowable sinking current through open collector output transistor.
- (10) At maximum output voltage and 25°C.
- (11) At maximum allowable output current and 25°C.
- (12) At 15 VDC logic, 30 VDC output, 50 mA, 25°C and nominal input voltage.
- (13) At 25°C for 1 second maximum duration.

Products and specifications subject to change without notice.  
Consult factory for application assistance.