

## Engineering Change Notice

<b>Subject:</b> New Product Release; PW-4007-JU1-E for California's Appliance Efficiency Regulation		<b>Product Code:</b> PW-4007-JU1-E
<b>Changes:</b> <ol style="list-style-type: none"> <li>1. Subject</li> <li>2. Subject model name</li> <li>3. Schedule</li> <li>4. Reason</li> <li>5. Detail</li> </ol>		<b>Supersedes:</b> PW-4007-U1-E
<b>Related Documents:</b> -NA-	<b>Aut:</b> MV	<b>Rev Date:</b> February 13, 2007
<b>Document:</b> PW-4007-JU1-E ECN 1.1	<b>Information Sources:</b> Printer news – Seiko Instruments, Japan	
<b>Systems Affected:</b> -NA-		
<b>Revision History:</b> -NA-		

**New Product Release; PW-4007-JU1-E for California's Appliance Efficiency Regulation**

**1. Subject**

We will start to supply following product for "California's Appliance Efficiency Regulation".

There are not any differences on specifications DPU-414 and the new model except compliance with this regulation.

\*"PW-4007-U1-E" is discontinued by this product release.

**2. Subject model name**

Current Product	New Product
<b>PW-4007-U1-E</b> (AC adapter of DPU-414 for US market)	<b>PW-4007-JU1-E</b> (AC adapter of DPU-414 for US market)

\*PW-4007-JU1-E is used with optional AC cable; CB-US01-18B-E

**3. Schedule**

SII start to ship "PW-4007-JU1-E" at beginning of Mar, 2007.

**4. Reason**

To comply with California's Appliance Efficiency Regulation.

**5. Detail**

Please refer to following page.

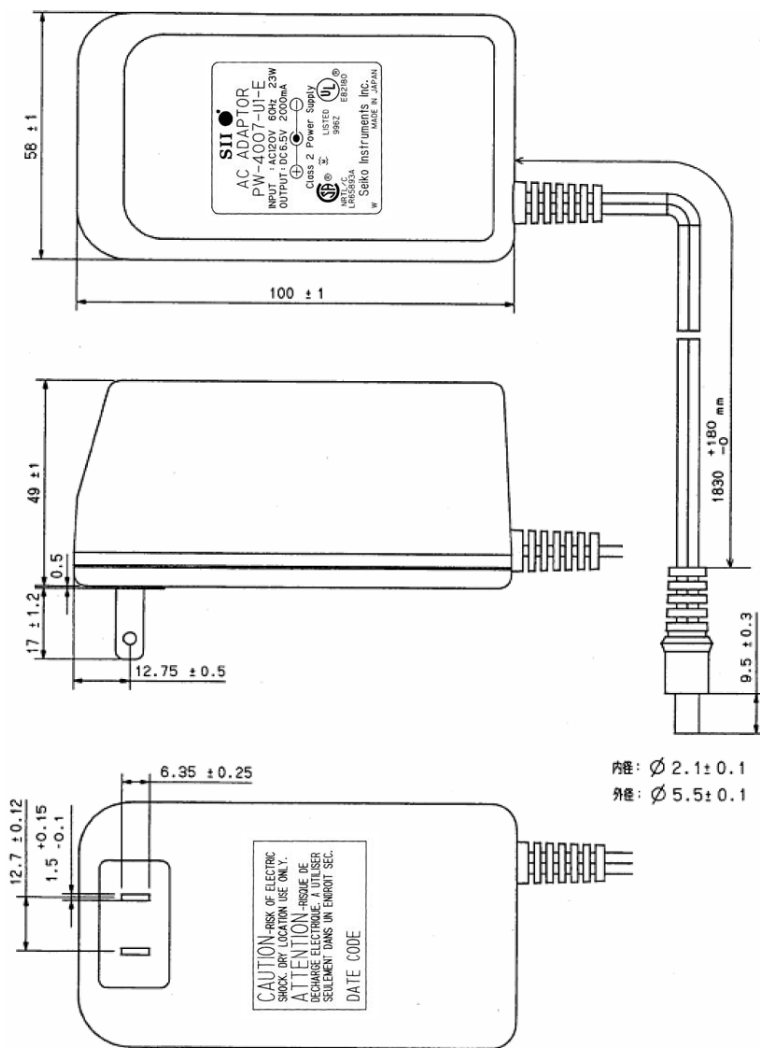
If you need the further information or requirement, please contact your Regional Sales Manager.

**General Specifications**

	<b>PW-4007-U1-E</b>	<b>PW-4007-JU1-E</b>
<b>Power input</b>		
<b>Rating input voltage</b>	AC 120 (V)	AC 100-120 (V)
<b>Input voltage frequency</b>	60 (Hz)	50/60 (Hz)
<b>Output specification</b>		
<b>Rated output voltage</b>	DC 6.5 ± 0.5 [V]	DC 7.0 ± 5 % [V]
<b>Output current</b>	2.0 (A) max. load	2.0 (A) max. load
<b>Safety standard</b>	UL · CSA	PSE · UL · CSA
<b>Dimension</b>	100x58x49 (mm) (without cable)	104x43x32 (mm) ( without cable )
<b>Weight</b>	690 (g)	180(g)
<b>Operating temperature</b>	0 to 40 (C)	0 to 40 (C)
<b>Storage temperature</b>	-20 to 60 (C)	-20 to 60 (C)

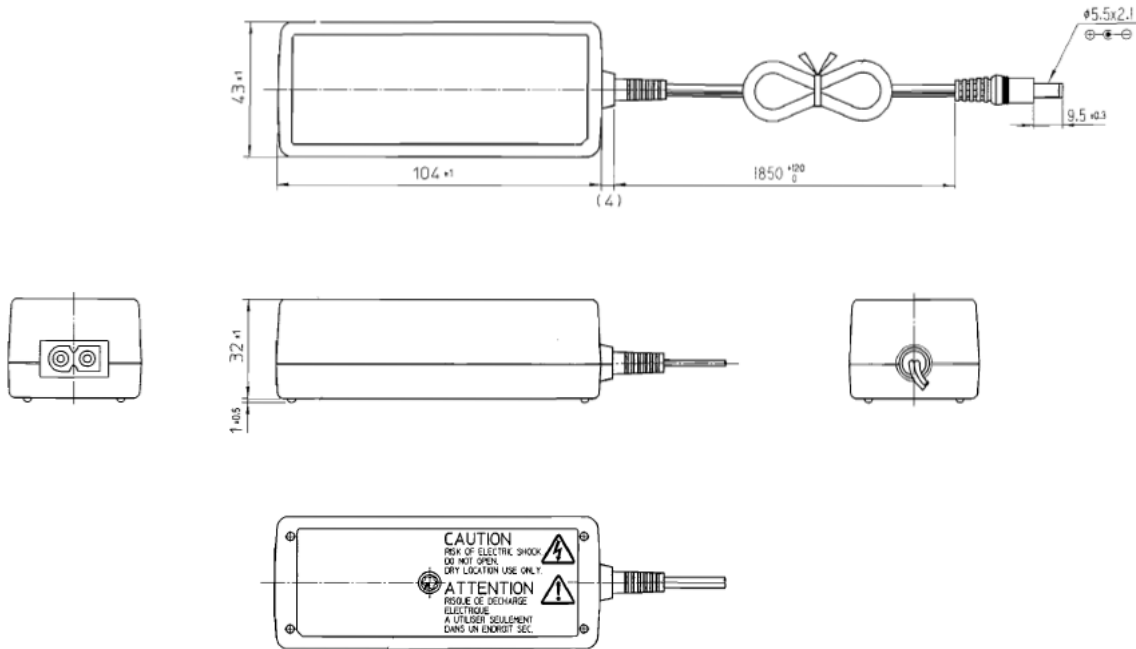
**Drawing**

PW-4007-U1-E

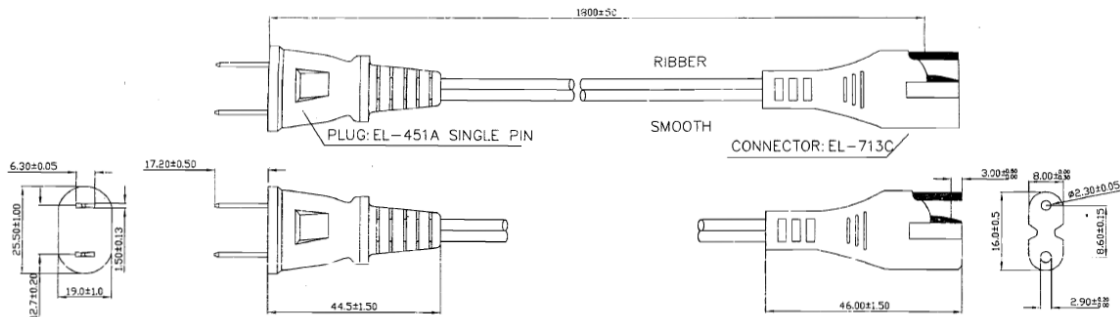


**Seiko Instruments Inc.**

PW-4007-JU1-E



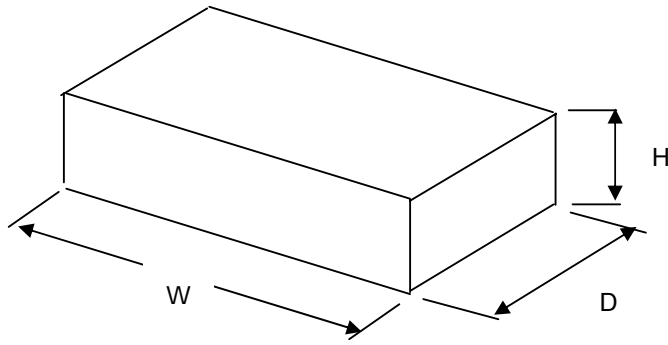
CB-US01-18B-E



Seiko Instruments Inc.

**Packing**

Individual packing size

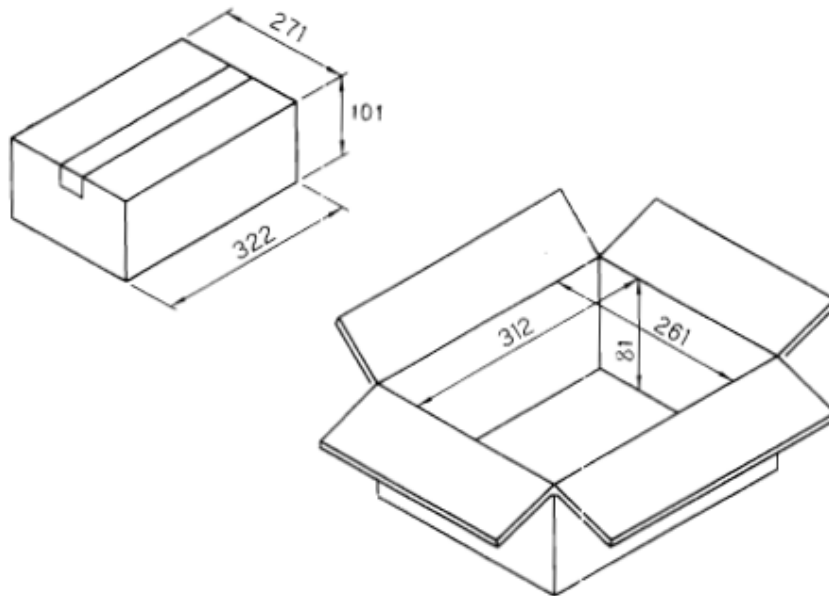


PW-4007-U1-E            WxDxH : 130x62x80 (mm)

PW-4007-JU1-E        WxDxH : 130x51x66(mm)

Assembly packing size

PW-4007-U1-E

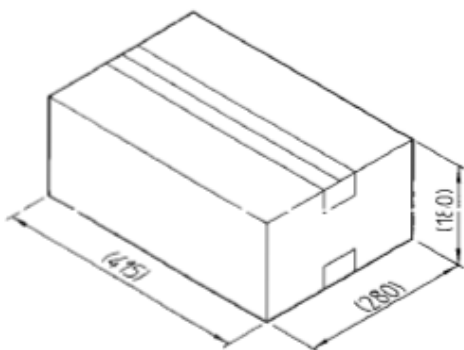


WxDxH : 322 x 271 x 101 (mm)

Qty: 10pcs

PW-4007-JU1-E

外形寸法図



WxDxH : 415 x 280 x 180 (mm)

Qty: 30pcs

**Seiko Instruments Inc.**

**<<PRECAUTIONS>>**

In case of combination of previous model(DPU-414 non RoHS type) and new AC adapter, there is possibility that LED indicate different from before.

Type;

Printer unit; DPU-414-30/31B (non RoHS) \*before production at APR 2006

AC adapter; PW-4007-JU1-E

States; power off (without battery or with charged battery)

Power LED; blinking

\*->indication of "battery charge"

This state is caused by change AC adapter type (from Transformer to Switching).

If you need further information, please contact with your Regional Sales Manager.