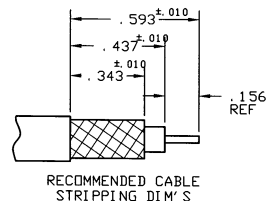
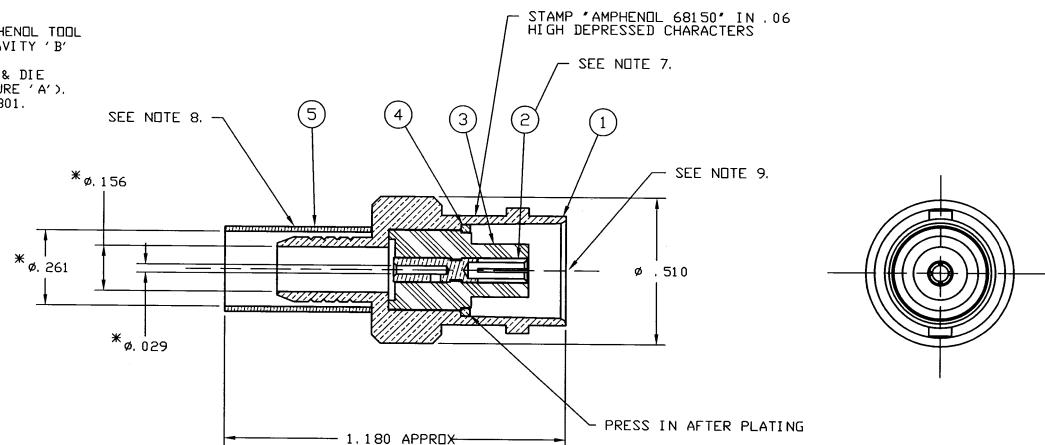


NOTES:

1. PLATING MUST CONFORM TO AMPHENOL SPEC. 349-50560. CONTACT IS GOLD PLATED, ALL OTHER METAL PARTS ARE ASTROPLATED (REF).
2. THIS CONNECTOR MATES WITH ANY STANDARD BNC CONNECTOR.
3. THIS CONNECTOR CAN BE USED WITH CABLES RG59/U, RG59A/U, RG59B/U, RG62/U, RG62A/U, RG62B/U, RG62C/U & RG140/U.
4. HEAT SHRINK TUBING SUPPLIED ON REQUEST.
5. U.L. RECOGNIZED ITEM - NO CHANGES PERMITTED WHICH AFFECT CATALOG SPECIFICATIONS.
6. PACKAGE THIS CONNECTOR IN BAG 999-225. MARK PACKAGING BAG "9U 5A 500V" AND LOT CODE NUMBER.
7. CUSTOMER NOTE; WHEN SOLDERING CONTACT TO CABLE, ROSIN CORE (60% TIN, 40% LEAD) SOFT SOLDER IS RECOMMENDED. WHEN CRIMPING CONTACT TO CABLE, CRIMP WITH AMPHENOL TOOL 227-944 (M2250/5-01) & DIE SET 227-1221-13, CAVITY 'B' (M2250/5-13, CLOSURE 'B').
8. CRIMP WITH AMPHENOL TOOL 227-944 (M2250/5-01) & DIE SET 227-1221-13, CAVITY 'A' (M2250/5-13, CLOSURE 'A').
9. MUST CONFORM TO AMPHENOL SPEC. 349-50551, SEC 301.
10. ASTERISK (*) INDICATES CABLE ENTRY DIM'S.
11. ITEMS 2 & 5 WILL BE PACKAGED LOOSE.
12. DO NOT SCALE THIS DRAWING.
13. UNLESS OTHERWISE SPECIFIED, ALL DIMENSIONS ARE AFTER PLATING.

68150		REVISIONS			
DRAWING NO.	REV	DESCRIPTION	DATE	ECD	APPR
THIRD ANGLE PROJ.	A	OFFICIAL ENG. RELEASE TO MFG.	4/15/63	839B	
	P	REDRAWN, WAS C SIZE; ITEM 4 WAS 31-1113 H; UPDATED PLATING CODES ON BOM.; ADDED NOTES 12 & 13. CHG'D. NOTE 5; ITEM 1 WAS 31-10055-2H.	10/22/94	40133	RF/RAV
	R	ITEM 4 WAS 31-2113-NA	5/5/99	42968	CPM/



PART NUMBER	QTY	ITEM	DESCRIPTION	FINISH
68180-1	1	6	HEAT SHRINK TUBING (NOT SHOWN) (NOTE 4)	
31-1357-7NA	1	5	FERRULE	NOTE 1
31-12791-NA	1	4	WASHER	NOTE 1
31-10056	1	3	INSULATOR	
31-10057-4GA	1	2	CONTACT	NOTE 1
31-12626-2NA	1	1	BODY	NOTE 1

UNLESS OTHERWISE SPECIFIED, DIMENSIONS ARE IN INCHES AND TOLERANCES ARE: 2 PLACE DECIMAL ± 0.15 (0.381 mm) 3 PLACE DECIMAL ± 0.05 (0.127 mm) ANGLES ± 1°	MATERIAL	DRAWN T. ALBERA	DATE 2/23/89	TITLE QUICK CRIMP BNC JACK	Amphenol Amphenol Corporation RF/Microwave Operations Danbury, Conn. U.S.A. 06810
	REFERENCE DDR 25-21231 401X370 300011-51	ENGINEER D. ROYCE	DATE 10/6/89	APPROVED D. ROYCE	
NOTICE - These drawings, specifications, or other data (1) are, and remain the property of Amphenol Corp. (2) must be returned upon request; and (3) are confidential and not to be disclosed to any person other than those to whom they are given by Amphenol Corp. The furnishing of these drawings, specifications, or other data by Amphenol Corp., or to any other person for any purpose is not to be regarded by implication or otherwise in any manner (1) constituting rights or permitting such holder or any other person to manufacture, use or sell any product, process or design, patented or otherwise, that may in any way be related to or disclosed by said drawings, specifications, or other data.		CAD FILE H:\DEPT611\BNC\000\ASSY\68150.DWG	CODE ID 74868	DWG SIZE B	DRAWING NO. 68150
				SCALE: 3:1	SHEET OF
					ISSUE R