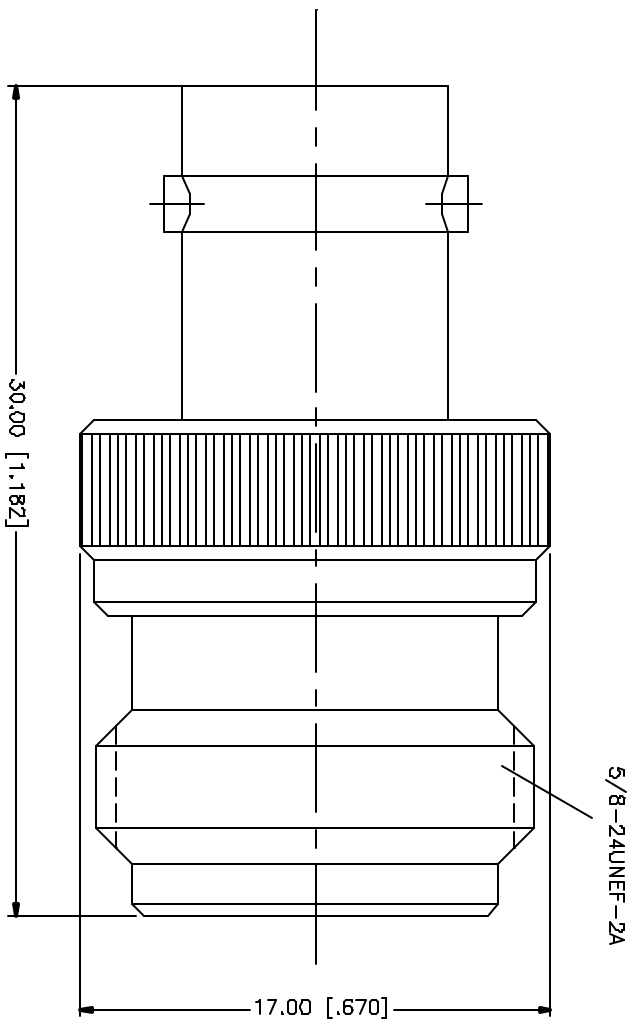


REV.	DATE	DESCRIPTION
A	03/27/05	UPDATE DRAWING FORMAT



NO.	DESCRIPTION	MATERIAL	FINISH	QTY	UNIT PRICE	TOTAL PRICE
1	INSULATOR BODY	BRASS	NICKEL	1		
2	INSULATOR	TEFLON	NATURAL	1		
3	CONTACT PIN	PHOS. BRONZE	GOLD	1		
4						
5						
6						
7						
8						

APPROVALS	DATE
DRAWN C.R.S.	03/27/05
CHECKED	
ISSUED	
SHEET 1 OF 1	

<b>Amphenol Connex</b> PART DESCRIPTION <b>BNC FEMALE TO N FEMALE ADAPTER</b> PART NO. <b>242100</b>	DWT. N/A 242100.DWG REV. A SIZE A SCALE NA
---	--

UNITS: DIMENSIONS ARE GIVEN IN INCHES AND FRACTIONS THEREOF UNLESS OTHERWISE SPECIFIED. DIMENSIONS FOR INSULATOR ARE: A - 30.00mm ± 0.20mm B - 30.00mm ± 0.40mm C - 120.00mm ± 0.50mm DIMENSIONS FOR CONTACT PIN: D - 0.020" ± 0.007" E - 0.315" ± 0.015" F - 1.180" ± 0.020" G - 4.724" ± 0.020" DO NOT SCALE DRAWING	CAD FILE C:/242/242100.DWG
--	-------------------------------