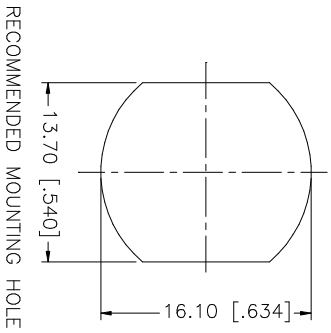
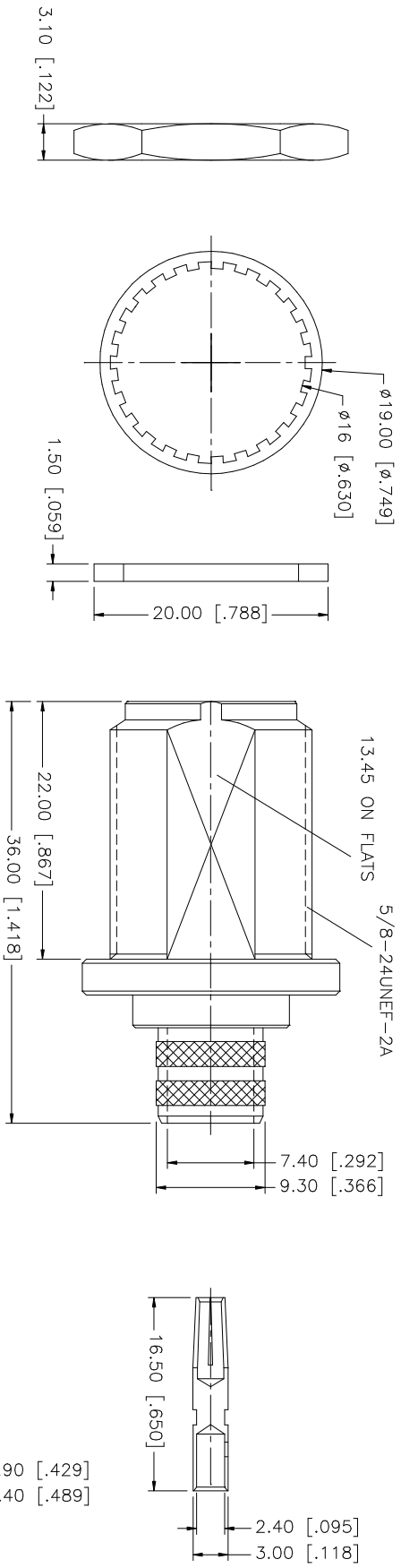
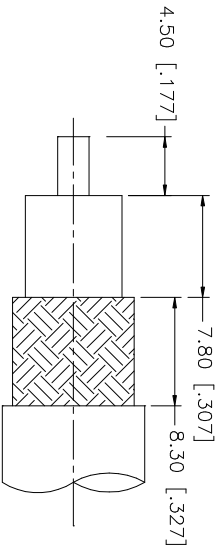


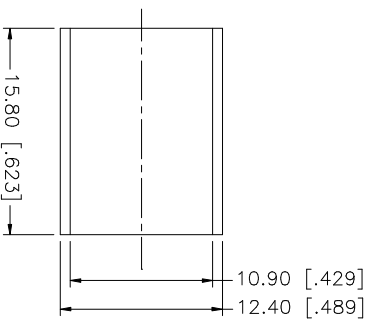
REV.	DATE	DESCRIPTION
NC	07/31/96	INITIAL RELEASE
A	11/16/05	UPDATE DRAWING FORMAT



RECOMMENDED MOUNTING HOLE



RECOMMENDED CABLE STRIPPING DIMS.



- NOTE:
1. CRIMPED FERRULE
HEX CRIMP SIZE .255"
 2. CONTACT PIN TO SOLDER

QTY	FINISH	MATERIAL	DESCRIPTION
1	NEXCOTE	COPPER	FERRULE
1	GOLD	PHOS. BRONZE	CONTACT PIN
1	NEXCOTE	BRASS	HEX NUT
1	NEXCOTE	BRASS	LOCK WASHER
1	RED	SILICONE	GASKET
1	NEXCOTE	BRASS	BARREL
1	NATURAL	TEFLON	INSULATOR
1	NEXCOTE	BRASS	BODY

UNLESS OTHERWISE SPECIFIED DIMENSIONS ARE IN MILLIMETERS. DIMENSIONS IN [] ARE IN INCHES AND FOR CUSTOMER REFERENCE ONLY. TOLERANCES FOR MILLIMETERS ARE:	UNLESS OTHERWISE SPECIFIED DIMENSIONS ARE IN INCHES. DIMENSIONS IN [] ARE IN MILLIMETERS. TOLERANCES FOR INCHES ARE:
0.5 - 8mm ± 0.20mm	.020 - .315 = ± 0.007"
8 - 30mm ± 0.40mm	.315 - 1.180 = ± 0.015"
30 - 120mm ± 0.50mm	1.180 - 4.724 = ± 0.020"

APPROVALS	DATE
DRAWN G.R.S.	11/16/05
CHECKED	
ISSUED	

PART DESCRIPTION	PART NO.
N BULKHEAD CRIMP JACK (FOR 8/U, 8A/U 213/U CABLE)	1721108

DO NOT SCALE DRAWING	CAD FILE	DWG. NO.	REV.	NC	SIZE	SCALE
	C:/172/1721108.DWG	1721108.DWG	NC		A	NA

Amphenol **Comnex**

N BULKHEAD CRIMP JACK
(FOR 8/U, 8A/U 213/U CABLE)

1721108