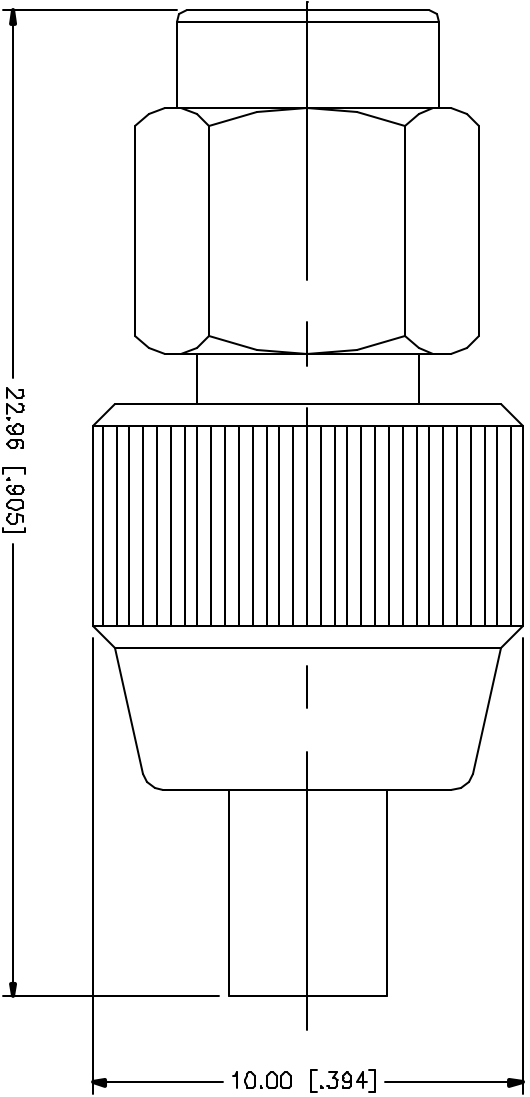


REV.	DATE	DESCRIPTION
A	03/27/06	UPDATE DRAWING FORMAT



8											
7											
6											
5											
4											
3	CONTACT PIN	BEP. COPPER	GRD	1							
2	INSULATOR	TEFLON	NATURAL	1							
1	BODY	BRASS	GOLD	1							
	DESCRIPTION	MATERIAL	FINISH	QTY							

Amphenol Connex

SMA MALE TO MGX FEMALE ADAPTER

PART NO. **242126**

APPROVALS

DRAWN	DATE
G.R.S.	03/27/06

CHECKED: _____
 ISSUED: _____
 SHEET 1 OF 1

DWG. NO. 242126.DWG REV. A SIZE A SCALE NA

PLEASE REFER TO THE DRAWING FOR DIMENSIONS AND TOLERANCES PER MILITARY SPEC. 0.2 - 2.5mm ± 0.25mm 2.5 - 12.5mm ± 0.40mm 12.5 - 30.0mm ± 0.50mm

PLEASE REFER TO THE DRAWING FOR DIMENSIONS AND TOLERANCES PER MILITARY SPEC. .020 - .315 ± 0.007" .315 - 1.180 ± 0.015" 1.180 - 4.724 ± 0.020"

DWG. FILE C:/242/242126.DWG

DWG. NO. 242126.DWG REV. A SIZE A SCALE NA