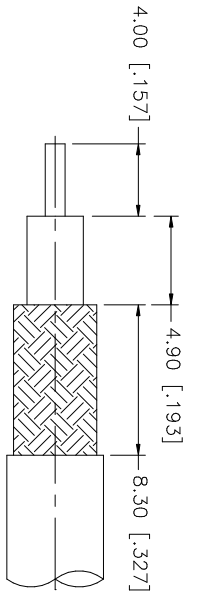
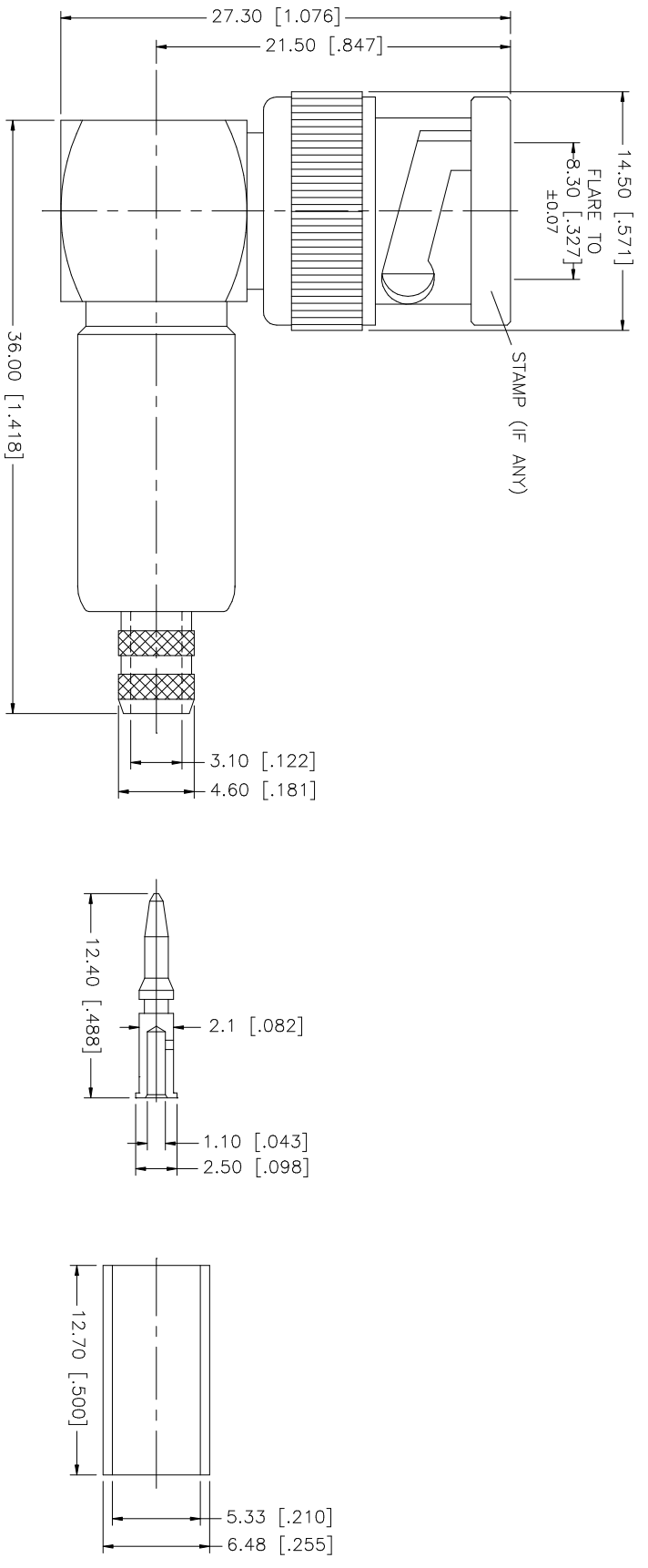


REV.	DATE	DESCRIPTION
NC	01/04/04	UPDATE DRAWING FORMAT



- NOTE:
1. CRIMPED FERRULE  
HEX CRIMP SIZE .213"
  2. CRIMPED CONTACT PIN  
HEX CRIMP SIZE .068"

UNLESS OTHERWISE SPECIFIED DIMENSIONS ARE IN MILLIMETERS. DIMENSIONS IN [ ] ARE IN INCHES AND FOR CUSTOMER REFERENCE ONLY.	UNLESS OTHERWISE SPECIFIED DIMENSIONS ARE IN MILLIMETERS ONLY.	UNLESS OTHERWISE SPECIFIED DIMENSIONS ARE IN INCHES ONLY.	UNLESS OTHERWISE SPECIFIED DIMENSIONS ARE IN MILLIMETERS ONLY.	UNLESS OTHERWISE SPECIFIED DIMENSIONS ARE IN INCHES ONLY.	UNLESS OTHERWISE SPECIFIED DIMENSIONS ARE IN MILLIMETERS ONLY.	UNLESS OTHERWISE SPECIFIED DIMENSIONS ARE IN INCHES ONLY.	UNLESS OTHERWISE SPECIFIED DIMENSIONS ARE IN MILLIMETERS ONLY.	UNLESS OTHERWISE SPECIFIED DIMENSIONS ARE IN INCHES ONLY.	UNLESS OTHERWISE SPECIFIED DIMENSIONS ARE IN MILLIMETERS ONLY.	UNLESS OTHERWISE SPECIFIED DIMENSIONS ARE IN INCHES ONLY.	UNLESS OTHERWISE SPECIFIED DIMENSIONS ARE IN MILLIMETERS ONLY.	UNLESS OTHERWISE SPECIFIED DIMENSIONS ARE IN INCHES ONLY.
8												
7												
6												
5	FERRULE	COPPER	NICKEL	1	0.5 - 8mm ± 0.20mm							
4	CONTACT PIN	PHOS. BRONZE	GOLD	1	8 - 30mm ± 0.40mm							
3	CONTACT PIN	BRASS	GOLD	2	30 - 120mm ± 0.50mm							
2	INSULATOR	DELRI	NATURAL	2	.020 - .315 = ± 0.007"							
1	BODY	BRASS	NICKEL	1	.315 - 1.180 = ± 0.015"							
					1.180 - 4.724 = ± 0.020"							
	DESCRIPTION	MATERIAL	FINISH	QTY	DO NOT SCALE DRAWING							
		APPROVALS		DATE								
		DRAWN G.R.S.		01/04/04								
		CHECKED										
		ISSUED										
		SHEET 1 OF 1										
		PART NO.		112182								
		PART DESCRIPTION		BNC R/A CRIMP PLUG (FOR RG-58/U, 141/U CABLE)								
		CAD FILE		C:/112/112182.DWG								
		DWG. NO.		112182.DWG								
		REV.		NC								
		SIZE		A								
		SCALE		NA								

**Amphenol** **Comnex**