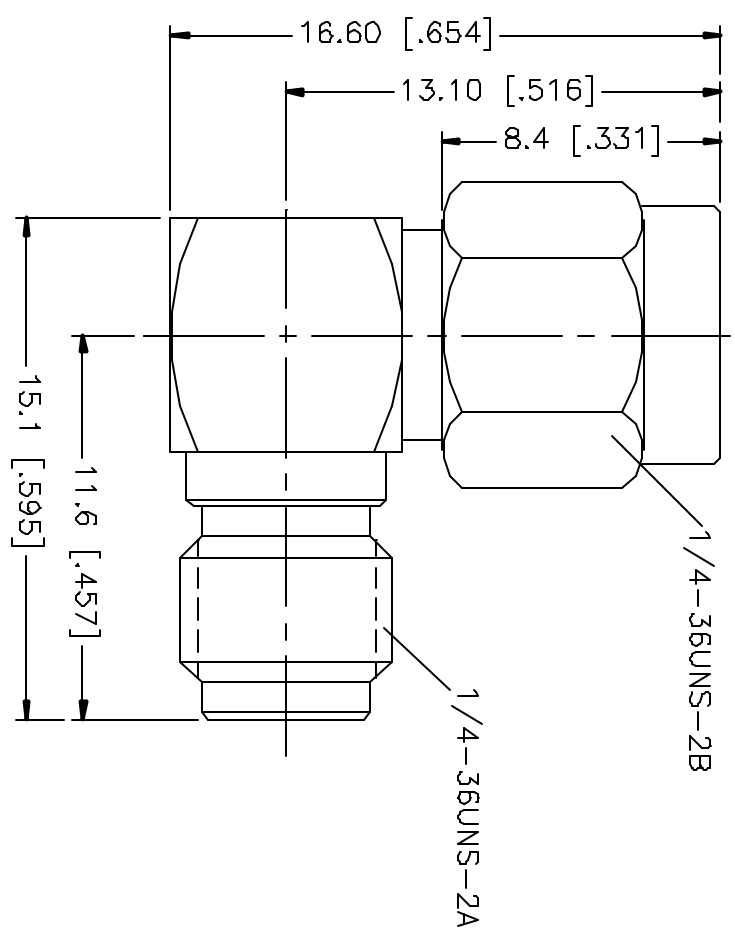


REV.	DATE	DESCRIPTION
NC	10/09/00	INITIAL RELEASE



DESCRIPTION	MATERIAL	FINISH	UNLESS OTHERWISE SPECIFIED, DIMENSIONS ARE IN MILLIMETERS	APPROVALS	DATE	<b>comnex</b> Connector Corporation
1 BODY	BRASS	GOLD	DIMENSIONS IN ( ) ARE IN INCHES	DRAWN	10/09/00	
2 INSULATOR	TEFLON	NATURAL	FOR CUSTOMER REFERENCE ONLY	CHECKED		
3 CONTACT PIN	BER. COPPER	GOLD	UNLESS OTHERWISE SPECIFIED, TOLERANCES FOR MILLIMETERS ARE:	ISSUED		
4			0.5-6 - ± 0.2			
5			6-30 - ± 0.4			
6			30-120 - ± 0.6			
7			120-315 - ± 1			
8			315-1000 - ± 1.5			
			1000-2000 - ± 2.4			
			DO NOT SCALE DRAWING			
TITLE				SCALE		
SMA PLUG TO SMA REVERSE POLARIZED JACK ADAPTER				NA		
FSGN NO. 99001				PART NO. 132172RP		
DWG. NO. 132172RP.DWG				SHEET 1 OF 1		
REV. NC						