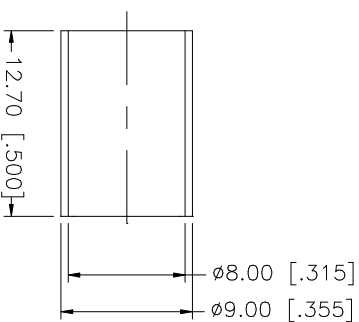
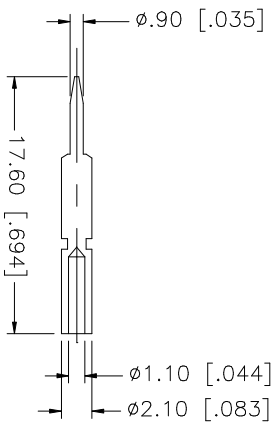
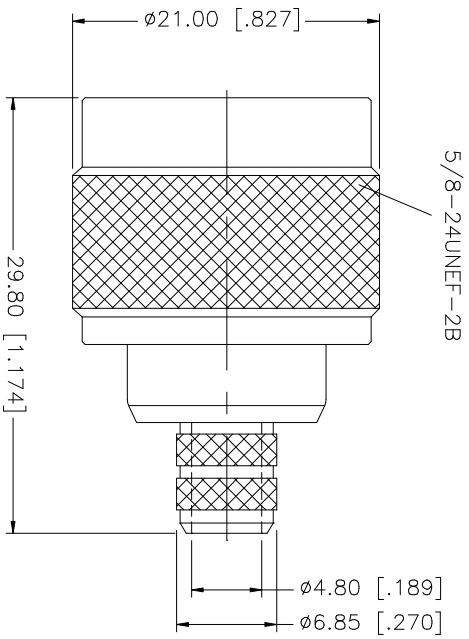
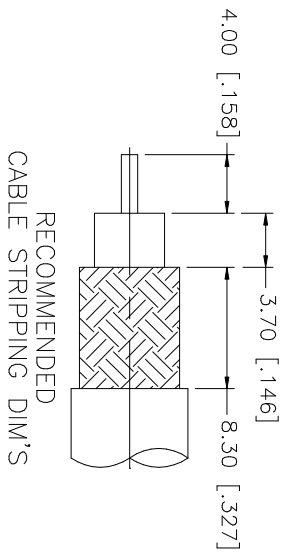


REV.	DATE	DESCRIPTION
NC	02/05/98	INITIAL RELEASE
A	10/05/05	UPDATE DRAWING FORMAT



8	UNLESS OTHERWISE SPECIFIED DIMENSIONS ARE IN MILLIMETERS DIMENSIONS IN [] ARE IN INCHES AND FOR CUSTOMER REFERENCE ONLY.	UNLESS OTHERWISE SPECIFIED TOLERANCES FOR MILLIMETERS ARE:	UNLESS OTHERWISE SPECIFIED TOLERANCES FOR INCHES ARE:	APPROVALS	DATE	PART DESCRIPTION				
7		0.3 - 30mm ± 0.20mm	0.020 - .315 ± 0.007"	DRAWN	10/05/05	<p style="text-align: center;">Amphenol Connex</p> <p style="text-align: center;">N CRIMP PLUG (FOR RG-6/U CABLE)</p> <p style="text-align: center;">172202</p>				
6		8 - 30mm ± 0.40mm	.315 - 1.180 ± 0.015"	CHECKED						
5		30 - 120mm ± 0.50mm	1.180 - 4.724 ± 0.020"	ISSUED						
4	FERRULE	BRASS	NICKEL	SHEET	1 OF 1					
3	CONTACT PIN	BRASS	GOLD							
2	INSULATOR	TEFLON	NATURAL			PART NO.				
1	BODY	BRASS	NICKEL			172202				
	DESCRIPTION	MATERIAL	FINISH	QTY	DO NOT SCALE DRAWING	CAD FILE	DWG. NO.	REV.	SIZE	SCALE
						C:/172/172202.DWG	172202.DWG	A	A	NA