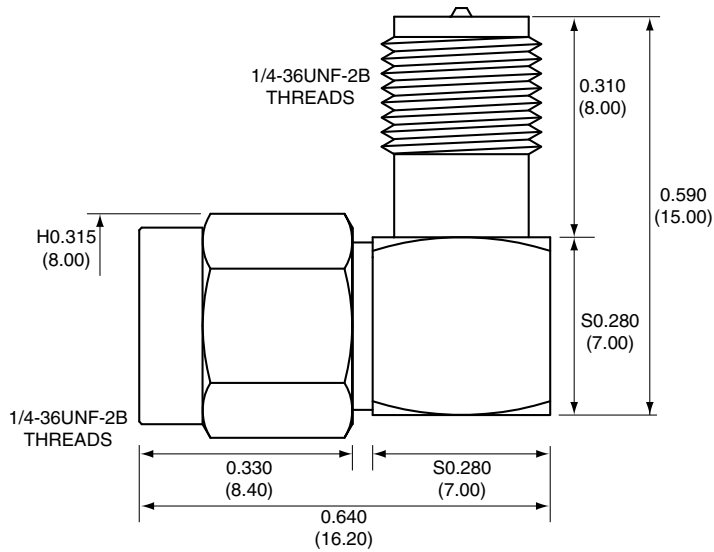


1		
Description	Material	Finish
Body	Brass	Nickel
Pin	PH Bronze	Gold
Insulation	Teflon	Teflon
Gasket	SI Rubber	Rubber
Washer	PH Bronze	Nickel



Title RP-SMA MALE TO RP-SMA FEMALE RIGHT ANGLE ADAPTOR		CONNECTOR CITY 159 ORT LANE MERLIN, OR 97532
Part No. CONREVSMA010	Revision: 1.0	PH (541)-471-6256 FAX (541)-471-6251
Dimensions: INCHES (mm)	Date: 6/2/2006	Sheet 1 of 1

CONNECTOR CITY
THE VALUE OF CONNECTIONS