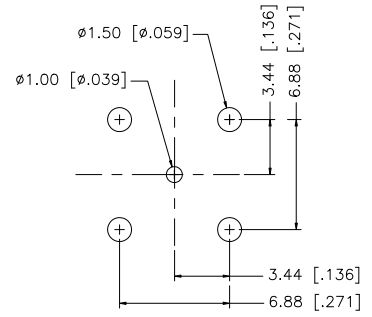
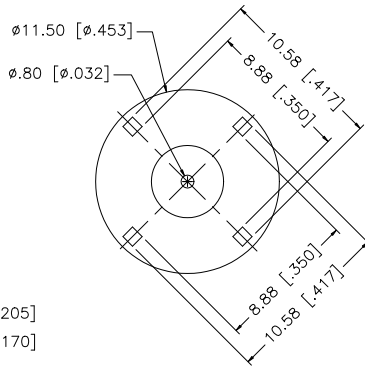
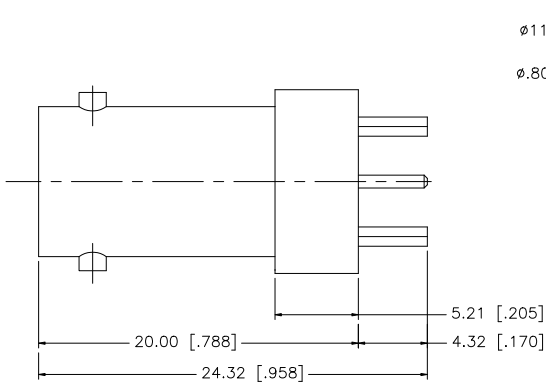


REV.	DATE	ECR NO.	DESCRIPTION
A	03/20/03	-	UPDATE DRAWING FORMAT
B	01/21/09	100075	REVISE BODY PLATING TO NICKEL



PCB MOUNTING HOLES

				UNLESS OTHERWISE SPECIFIED DIMENSIONS ARE IN MILLIMETERS. DIMENSIONS IN [] ARE IN INCHES AND FOR CUSTOMER REFERENCE ONLY.	APPROVALS	DATE	Amphenol Connex			
8										PART DESCRIPTION BNC P.C. MOUNT RECEPTACLE JACK (50 ohm)
7							PART NO. 112515			
6				UNLESS OTHERWISE SPECIFIED TOLERANCES FOR MILLIMETERS ARE: 0.5 - 8mm ± 0.20mm 8 - 30mm ± 0.40mm 30 - 120mm ± 0.50mm	DRAWN	GRS				01/21/09
5				UNLESS OTHERWISE SPECIFIED TOLERANCES FOR INCHES ARE: .020 - .315 = ± 0.007" .315 - 1.180 = ± 0.015" 1.180 - 4.724 = ± 0.020"	CHECKED			REV. B	SIZE A	SCALE NA
4					ISSUED					
3	CONTACT PIN	PHOS. BRONZE	GOLD	1	SHEET	1 OF 1				
2	INSULATOR	PTFE	NATURAL	1	CAD FILE	C:/112/112515.DWG				
1	BODY	BRASS	NICKEL	1						
	DESCRIPTION	MATERIAL	FINISH	QTY	DO NOT SCALE DRAWING					