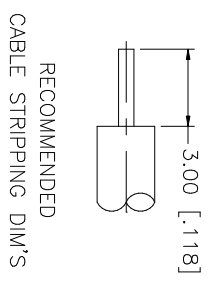
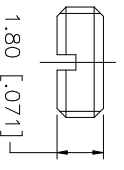
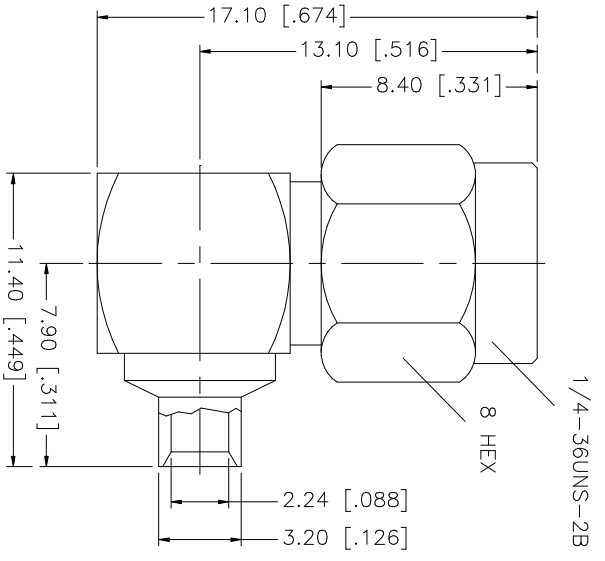


REV.	DATE	DESCRIPTION
NC	01/29/03	INITIAL RELEASE



8	COVER	BRASS	GOLD	1	<small>UNLESS OTHERWISE SPECIFIED DIMENSIONS ARE IN MILLIMETERS. DIMENSIONS IN [] ARE IN INCHES AND FOR CUSTOMER REFERENCE ONLY.</small> <small>UNLESS OTHERWISE SPECIFIED TOLERANCES FOR MILLIMETERS ARE:</small> 0.5 - 8mm ± 0.20mm 8 - 30mm ± 0.40mm 30 - 120mm ± 0.50mm <small>UNLESS OTHERWISE SPECIFIED TOLERANCES FOR INCHES ARE:</small> .020 - .315 = ± 0.007" .315 - 1.180 = ± 0.015" 1.180 - 4.724 = ± 0.020"	DO NOT SCALE DRAWING	<table border="1"> <thead> <tr> <th>APPROVALS</th> <th>DATE</th> </tr> </thead> <tbody> <tr> <td>DRAWN G.R.S.</td> <td>01/29/03</td> </tr> <tr> <td>CHECKED</td> <td></td> </tr> <tr> <td>ISSUED</td> <td></td> </tr> <tr> <td>SHEET 1 OF 1</td> <td></td> </tr> </tbody> </table>	APPROVALS	DATE	DRAWN G.R.S.	01/29/03	CHECKED		ISSUED		SHEET 1 OF 1	
APPROVALS	DATE																
DRAWN G.R.S.	01/29/03																
CHECKED																	
ISSUED																	
SHEET 1 OF 1																	
7	GASKET	SILICONE	RED	1													
6	RETAINER RING	BER. COPPER	NATURAL	1													
5	CONTACT PIN	BRASS	GOLD	1													
4	INSULATOR	TEFLON	NATURAL	1													
3	BODY	BRASS	GOLD	1													
2	SHELL	BRASS	GOLD	1													
1	DESCRIPTION	MATERIAL	FINISH	QTY													

Amphenol Connex

SMA R/A DIRECT SOLDER PLUG
(FOR .085", .086" CABLE)

PART NO.	132111
DWG. NO.	132111.DWG
REV.	NC
SIZE	A
SCALE	NA