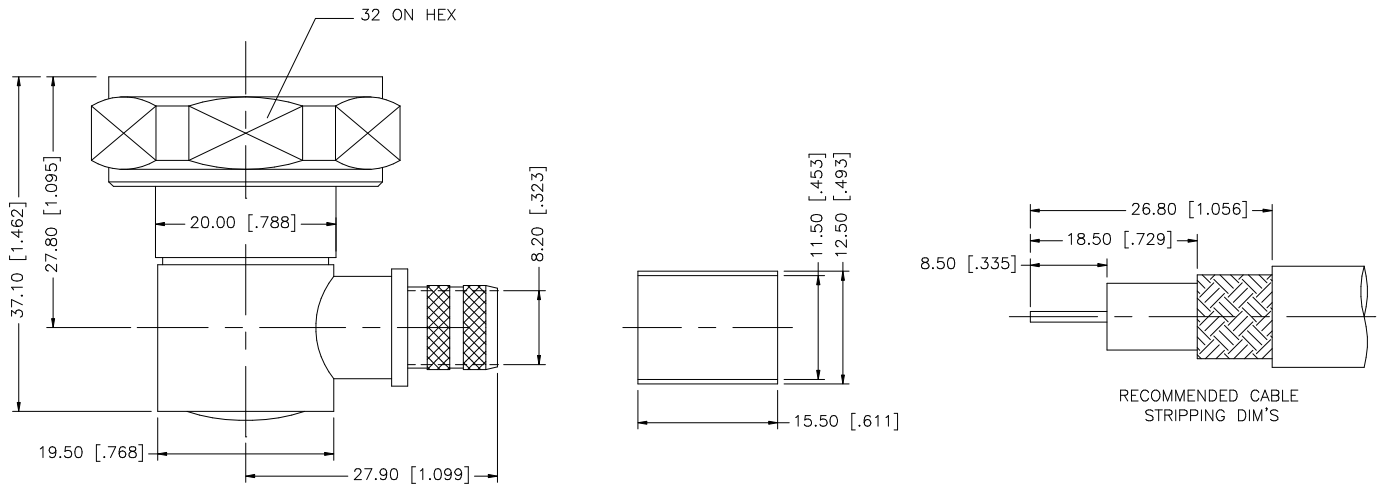


REV.	DATE	DESCRIPTION
A	12/29/00	REVISE PLATING TO SILVER
B	07/30/06	REVISE PLATING TO NEXCOTE, UPDATE DRAWING FORMAT
C	12/16/06	REVISE BODY STYLE



NOTE:  
1. CRIMPED FERRULE HEX CRIMP SIZE .429"

DESCRIPTION	MATERIAL	FINISH	QTY	DO NOT SCALE DRAWING	APPROVALS	DATE	Amphenol Connex								
				UNLESS OTHERWISE SPECIFIED DIMENSIONS ARE IN MILLIMETERS; DIMENSIONS IN [ ] ARE IN INCHES AND FOR CUSTOMER REFERENCE ONLY.	DRAWN	G.R.S.	12/16/06	PART DESCRIPTION <b>7/16 R/A PLUG (FOR LMR400 CABLE)</b>							
				UNLESS OTHERWISE SPECIFIED TOLERANCES FOR MILLIMETERS ARE: 0.5 - 8mm ± 0.20mm 8 - 30mm ± 0.40mm 30 - 120mm ± 0.50mm	CHECKED							PART NO. <b>272115</b>			
				UNLESS OTHERWISE SPECIFIED TOLERANCES FOR INCHES ARE: .020 - .315 = ± 0.007" .315 - 1.180 = ± 0.015" 1.180 - 4.724 = ± 0.020"	ISSUED										
					SHEET	1 OF 1									
					CAD FILE	C:/272/272115.DWG									