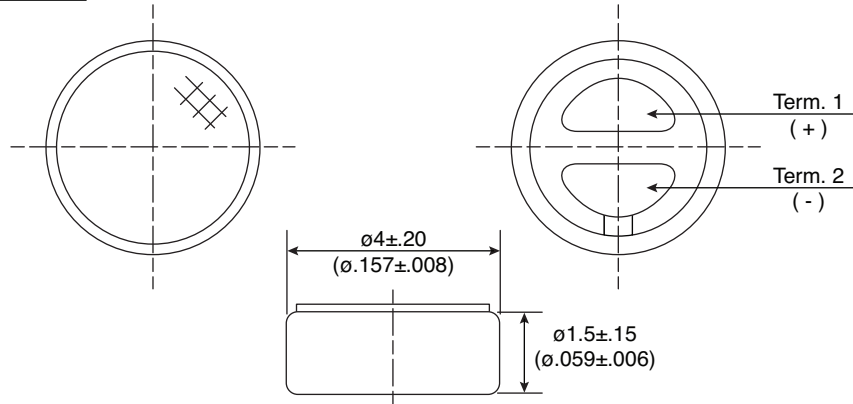
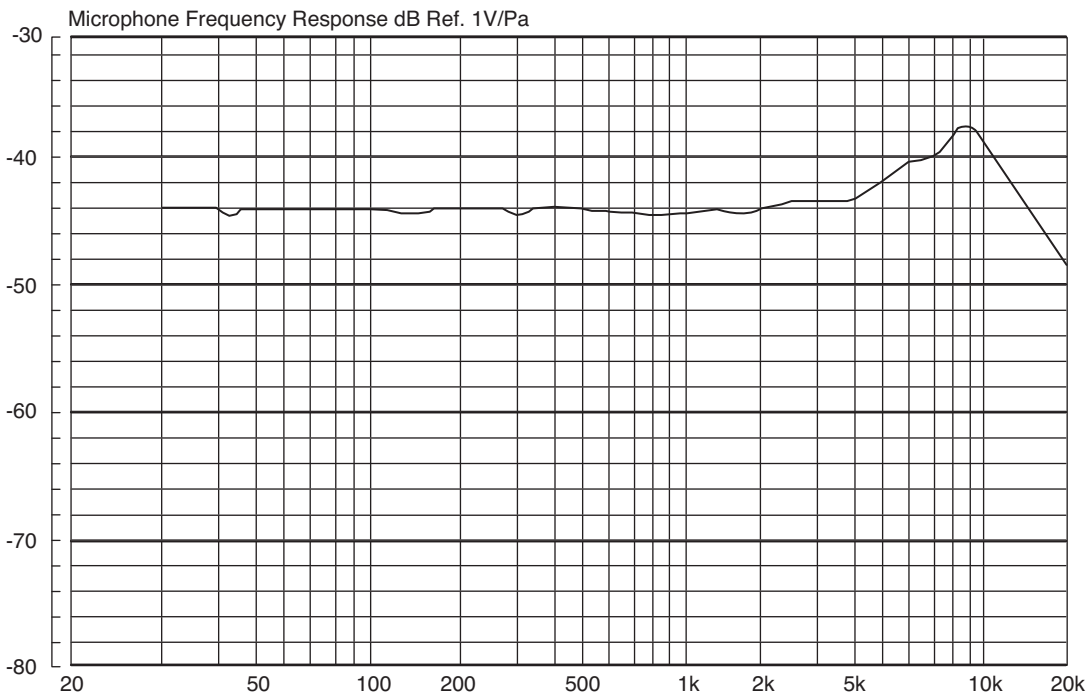


**Part Number:**

254-ECM446-RO



**Electret Condenser Microphone**



KT-400422

**Electrical Specifications:**

- Sensitivity:  $-46 \pm 3$ dB
- Output Impedance: 2.2K $\Omega$  (max.)
- Frequency Range: 70-20K Hz
- Standard Operation Voltage: 2.0V
- Current Consumption: 0.5mA (max.)
- S/N Ratio: > 56dB

**Mechanical Specifications:**

- Operating Temperature:  $-25^{\circ}\text{C} \sim +70^{\circ}\text{C}$
- Storage Temperature:  $-40^{\circ}\text{C} \sim +70^{\circ}\text{C}$

**Note:**

- RoHS Compliant