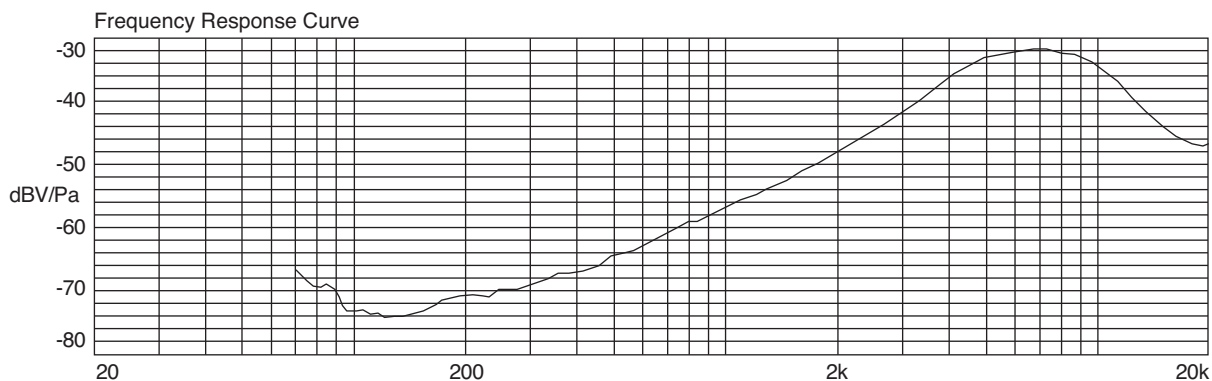
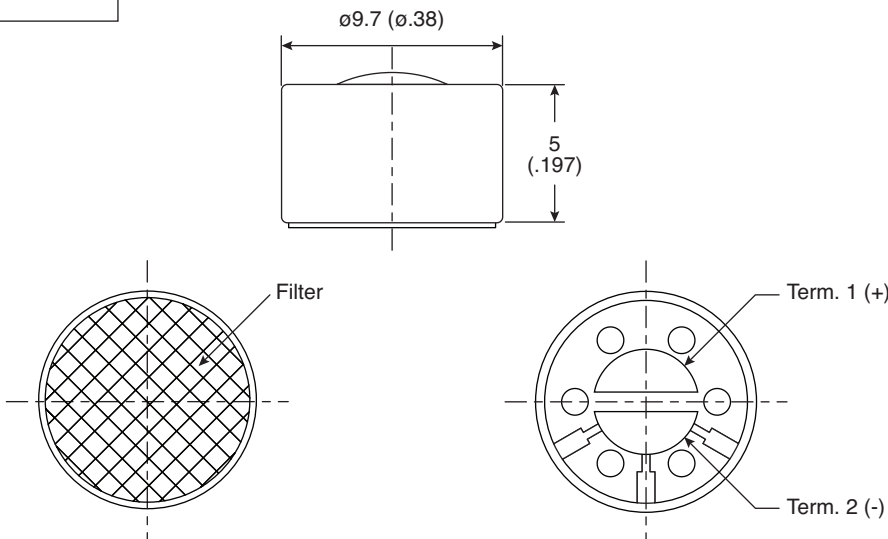


Part Number:

254-ECM9751-RO

Electret Condenser Microphone



KT-400503

Electrical Specifications:

- Sensitivity: -51 ± 3 dB
- Standard Operation Voltage: 4.5V
- Output Impedance: $2.2K\Omega$ (max.)
- Frequency Range: 100-20K Hz
- Current Consumption: 0.5mA (max.)
- S/N Ratio: ≥ 50 dB
- Sound Pressure Level: 110dB

Mechanical Specifications:

- Operating temperature: $-20^{\circ}\text{C} \sim +60^{\circ}\text{C}$
- Storage temperature: $-25^{\circ}\text{C} \sim +70^{\circ}\text{C}$

Note:

- RoHS Compliant