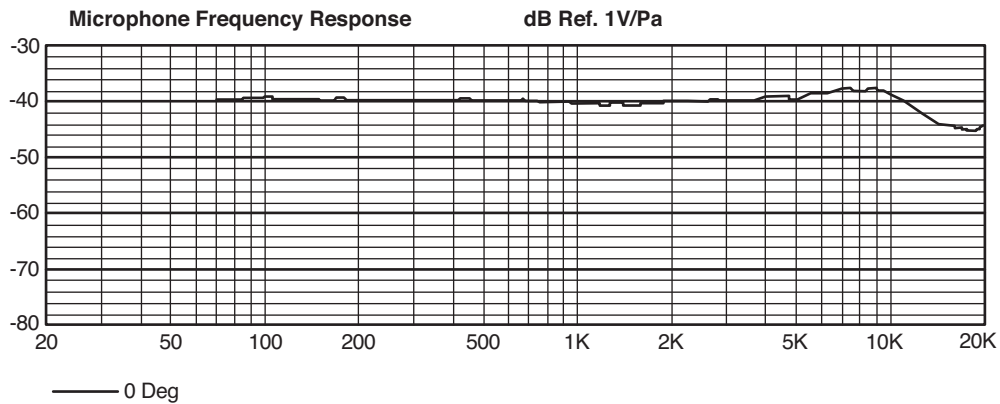
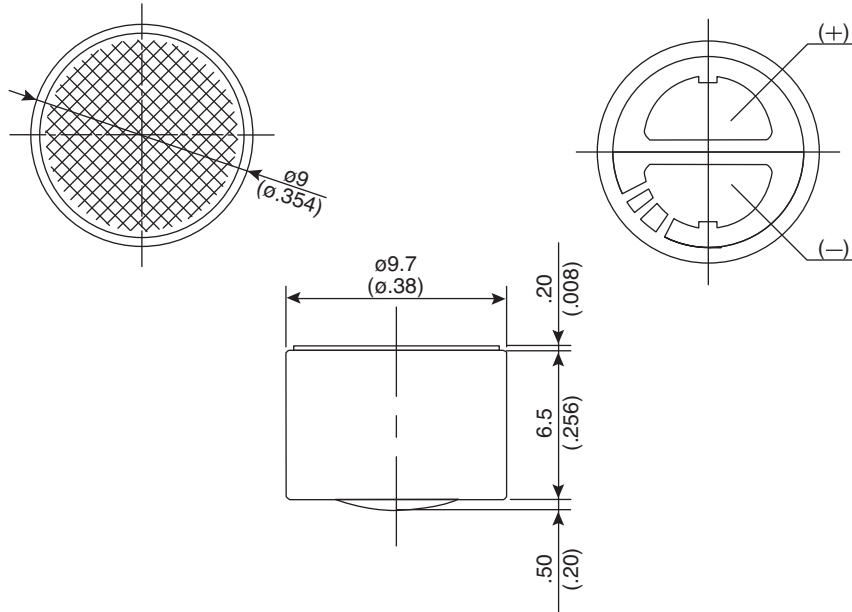


**Part Number:**

254-ECM9741-RO

**Electret Condenser Microphone**



**Electrical Specifications:**

- Sensitivity:  $-40 \pm 2$ dB
- Output Impedance: 2.2K $\Omega$  (Max)
- Frequency Range: 70 - 20KHz
- Standard Operation Voltage: 4.5V
- Current Consumption: 0.5mA (Max)
- S/N Ratio:  $\geq 58$ dB

**Mechanical Specifications:**

- Operating Temperature:  $-20 \sim +60^\circ\text{C}$
- Storage Temperature:  $-30 \sim +70^\circ\text{C}$

KT-400504

**Note:**

- RoHS Compliant