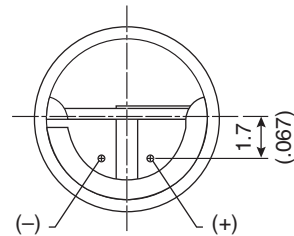
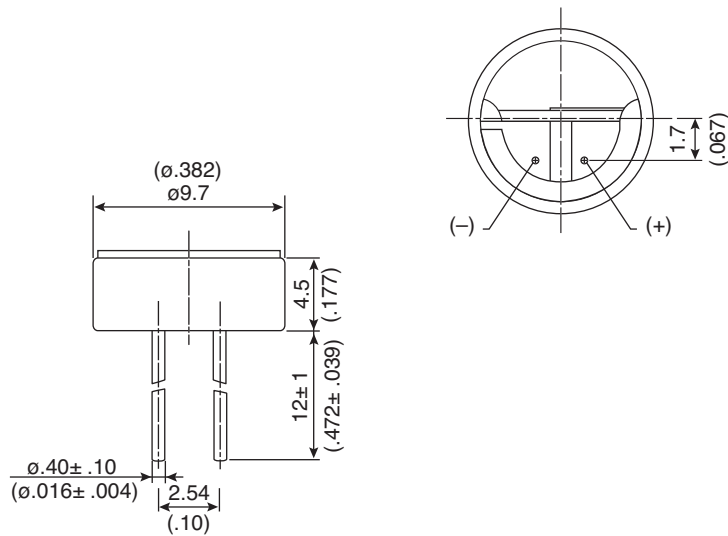
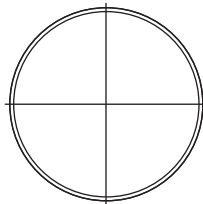
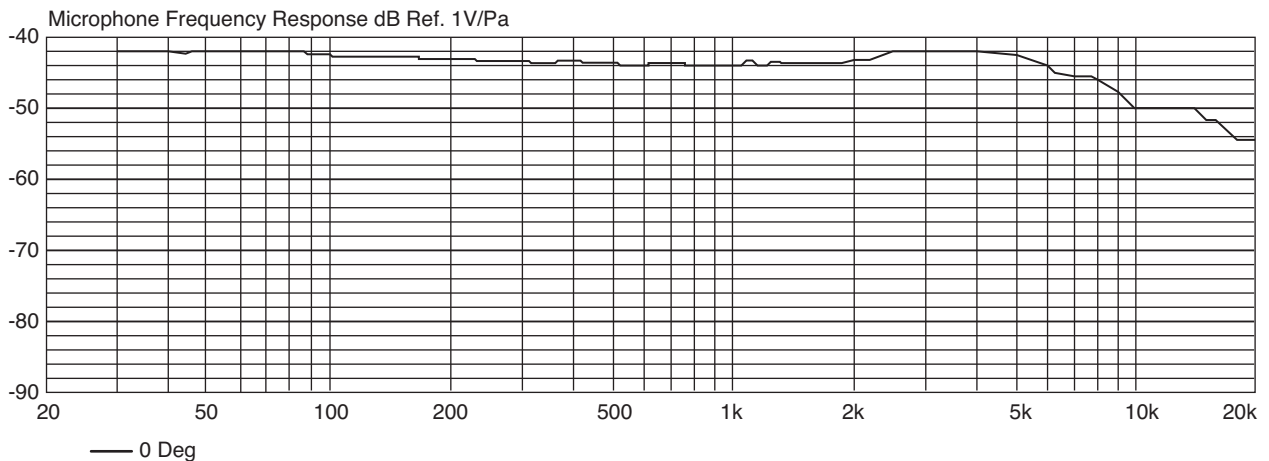


Part Number:

254-ECM94-RO



Frequency Response Curve



Microphone

KT-400339

Electrical Specifications:

- Sensitivity: -44±3dB (0dB=1V/Pa,1KHz)
- Output Impedance: 2.2KΩ(Max)
- Frequency Range: 70-20KHz
- Standard Operation Voltage: 3.0V
- Current Consumption: 0.5mA(Max)
- S/N Ratio: > 58dB

Mechanical Specifications:

- Operating temperature: -20 ~ +60°C
- Storage temperature: -30 ~ +70°C

Note:

- RoHS Compliant